



DS-673

Weighing Scale

Anti-Condensing & Quick Response

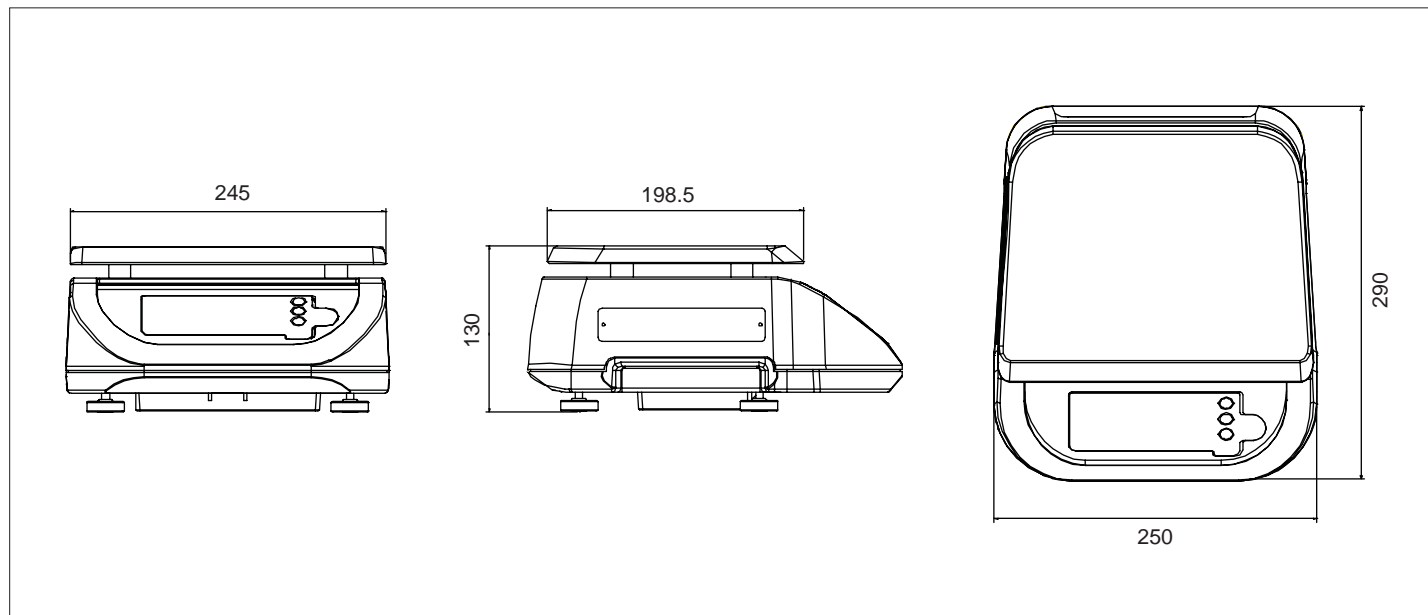
- Selectable automatic shut off time
- High brightness LED digital weighing scale
- Quick response to weight change
- Rechargeable battery for 60 hours*
- Intelligent power control
- kg & lb conversion



**Searching for
a New Balance**

*When Dimmer Level=2

External Dimensions (mm)



Basic Specifications

Model	DS-673
Capacity	1.5kg/3lb 3kg/6lb 6kg/15lb 15kg/30lb 30kg/60lb (Factory Option)
Display	Weight Display: 6 digits. Special Display: 6 digits. Decimal point: Selectable by SPEC
Display Resolution	1/3,000
Dimensions	Platter size : 245(W) x 198.5(D) mm Overall size: 250(W) x 290(D) x 130(H) mm
Power Source	AC 240/230/220V, 117/100V (Factory Option) DC 6V 5Ah rechargeable battery for 60 hours (option, Fully charged) Charging condition(AC 240/230/220V, 117/100V, 800mA ,12-14 hours)
Operating Temperature	-10°C ~ +40°C (OIML)
Operating Humidity	15% ~ 85% RH
Power Consumption	18W (AC), 3W (DC)

*Specifications are subject to change without prior notice.

SHANGHAI TERAOKA ELECTRONIC CO., LTD.

TINGLIN INDUSTRY DEVELOPMENTAL ZONE,
JINSHAN COUNTY, SHANGHAI 201505

TEL: +86-21-57234888

FAX: +86-21-57233049

<http://www.digi-scale.com>