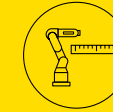


# M-2000iA/2300



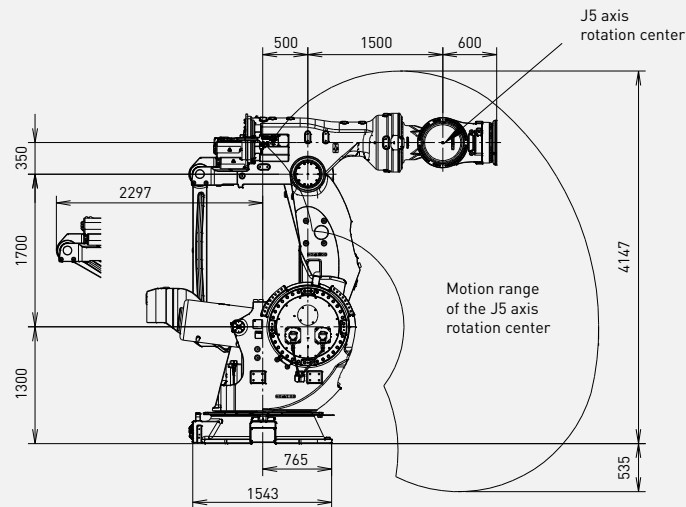
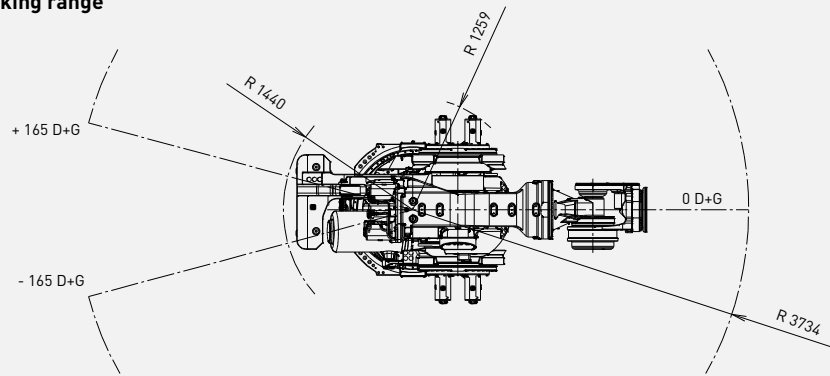
Max. load capacity  
at wrist:  
**2300 kg**



Max. reach:  
**3734 mm**

Controlled axes	Repeatability (mm)	Mechanical weight (kg)	Motion range (°)						Maximum speed (°/s)						J4 Moment/ Inertia (Nm/kgm <sup>2</sup> )	J5 Moment/ Inertia (Nm/kgm <sup>2</sup> )	J6 Moment/ Inertia (Nm/kgm <sup>2</sup> )
			J1	J2	J3	J4	J5	J6	J1	J2	J3	J4	J5	J6			
6	± 0.18*	11000	330	160	165	720	240	720	20	14	14	18	18	40	29400/7500	29400/7500	8820/5500

## Working range



### Robot

**M-2000iA/2300**

Robot footprint [mm]	1540 X 1480
Mounting position Floor	●
Mounting position Upside down	-
Mounting position Angle	-



### Controller

**R-30iB Plus**

Open air cabinet	-
Mate cabinet	-
A-cabinet	●
B-cabinet	○
iPendant Touch	●

### Electrical connections

Voltage 50/60Hz 3phase [V]	380-575
Voltage 50/60Hz 1phase [V]	-
Average power consumption [kW]	8

### Integrated services

Integrated signals on upper arm In/Out	8/8
Integrated air supply	2

### Environment

Acoustic noise level [dB]	72.8
Ambient temperature [° C]	0-45

### Protection

Body standard/optional	IP54/IP56
Wrist & J3 arm standard/optional	IP67

● standard ○ on request - not available ( ) with hardware and/or software option

\*Based on IS09283