

Holtest

For easy and accurate measurement of inside diameters

ABSOLUTE Borematic SERIES 568 — ABSOLUTE Digimatic Snap-Open Bore Gages

MeasurLink® ENABLED
Data Management Software by Mitutoyo

MeasurLink ENABLED
Data Management Software by Mitutoyo



Products equipped with the measurement data output function can be connected to the measurement data network system MeasurLink (refer to page A-5 for details).

An inspection certificate is supplied as standard. Refer to page U-11 for details.

ABSOLUTE™

Technical Data

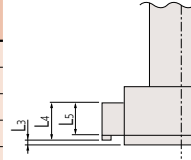
- Resolution: 0.001 mm or 0.00005 in/0.001 mm
- Response speed: Infinite
- Battery: SR44 (1 pc), **938882**, for initial operational checks (standard accessory)
- Scale type: Electrostatic capacitance type absolute encoder
- Battery life: Approx. 5,000 hours in continuous use



- A snap-type digital display, inside-diameter measuring instrument allows quick and easy measurement with lever operation.
- Titanium-coated measuring pins provide excellent durability and impact resistance.
- Three-Point contact measuring head enables highly repeatable measurement data to be obtained.
- The ABSOLUTE linear encoder eliminates overspeed errors.
- GO/NO-GO judgment function.

- Dual HOLD function buttons, optimally located, enable high operability.
- 330-degree rotatable display unit for easy reading at any angle.
- Measurement can be made close to the bottom of a blind hole.

Range (mm)	L3 (mm)	L4 (mm)	L5 (mm)
6 - 12	2 or below	—	2.5
12 - 20	0.3 or below	5.6	3.5
20 - 30		8.3	5.2
30 - 50		13.0	10
50 - 125		17.0	14



- Deep holes can be measured by attaching an Extension Rod (optional).



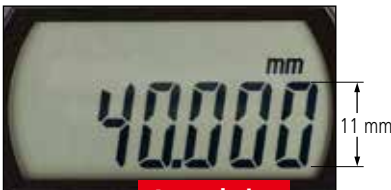
Extension Rod (optional)

- Digimatic output port enables inclusion in a statistical process control or networked measurement system. (Refer to page A-3 for details.)
- Interface Input Tools are available that enable the conversion of measurement data to keyboard signals that are then directly input to cells in off-the-shelf spreadsheet software such as Excel. (Refer to page A-5 for details.)
- Interchangeable-Head Bore Gages are available in part sets and full sets.
- For details of Setting Rings, refer to page C-47.



Large LCD

Character height of 11 mm (1.5 times the character area of conventional 8.5 mm products).



Actual size

Three large buttons

The three large-button design employed by ID-N/ID-B, the ABSOLUTE coolant proof Digimatic indicators, enables easier and simpler operation.



- Power ON/OFF
- Switches between the ABS (absolute) and INC (incremental) measurement modes
- Parameter setup mode
- Tolerance judgment setting
- Function lock setting

Function locking

Ensures reliability of measurement by locking the settings to prevent preset function settings from being changed by mistake.



Functions

- GO/NO-GO judgment
- GO/NO-GO judgment zoom
- 2-Point Preset
- Zero-setting
- Data hold, Error alarm
- Low battery voltage alert
- Data output
- Function Lock
- 330° rotary display
- inch/mm conversion (inch/mm models)

For details of Custom-ordered Products, refer to page C-49.

Optional Accessories

- Refer to page A-25 for details
- USB Input Tool Direct (2 m): **06AFM380F**
- Connecting cables for **U-WAVE-T**
For standard (160 mm): **02AZD790F**
For foot switch: **02AZE140F**

SPECIFICATIONS

Metric		Individual			
Order No.	Range*2 (mm)	Accuracy*1 (µm)	Accessories (optional)		
			Extension Rod	SPC cable	
568-361	6 - 8	±5 (within 5)	952322 (100 mm)	905338 (1 mm)	
568-362	8 - 10				
568-363	10 - 12				
568-364	12 - 16		952621 (150 mm)		
568-365	16 - 20				
568-366	20 - 25	±6 (within 6)	952622 (150 mm)		905409 (2 mm)
568-367	25 - 30				
568-368	30 - 40				
568-369	40 - 50				
568-370	50 - 63		952623 (150 mm)		
568-371	62 - 75				
568-372	75 - 88				
568-373	87 - 100				
568-374	100 - 113				
568-375	112 - 125				

Inch / Metric		Individual			
Order No.	Range*2 (in)	Accuracy*1 (in)	Extension Rod (optional)		
			Extension Rod	SPC cable	
568-461	0.275 - 0.35	±0.00025 (within 0.00025)	952322 (100 mm)	905338 (1 mm)	
568-462	0.35 - 0.425				
568-463	0.425 - 0.5				
568-464	0.5 - 0.65		952621 (150 mm)		
568-465	0.65 - 0.8				
568-466	0.8 - 1	±0.0003 (within 0.0003)	952622 (150 mm)		905409 (2 mm)
568-467	1 - 1.2				
568-468	1.2 - 1.6				
568-469	1.6 - 2				
568-470	2 - 2.5		952623 (150 mm)		
568-471	2.5 - 3				
568-472	3 - 3.5				
568-473	3.5 - 4				
568-474	4 - 4.5				
568-475	4.5 - 5				

*1 Excluding quantizing error.

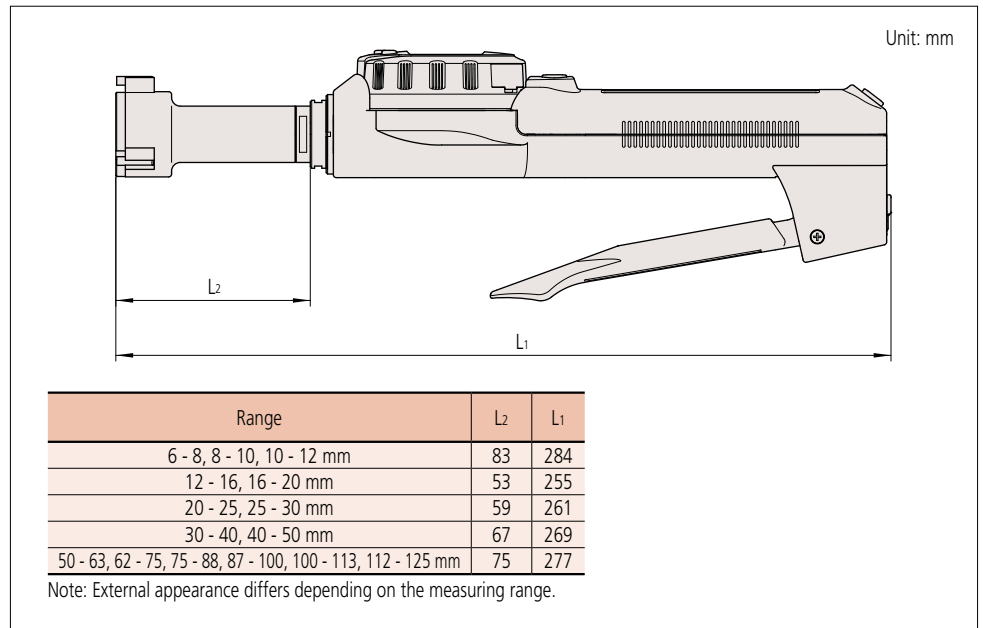
Accuracy: values measured across the entire measuring face.

Maximum difference: differences between the maximum and minimum values.

*2 The measurement range cannot be enlarged by measuring heads that are not standard-supplied (the accuracy is not guaranteed).

Note: Setting rings are optional.

DIMENSIONS



Holtest

For easy and accurate measurement of inside diameters

ABSOLUTE Borematic SERIES 568 — ABSOLUTE Digimatic Snap-Open Bore Gages

MeasurLink[®] ENABLED
Data Management Software by Mitutoyo

MeasurLink[®] ENABLED
Data Management Software by Mitutoyo

Products equipped with the measurement data output function can be connected to the measurement data network system MeasurLink (refer to page A-5 for details).



An inspection certificate is supplied as standard. Refer to page U-11 for details.

Interchangeable-Head Bore Gage Sets

Each set includes one display unit with interchangeable measuring heads of the sizes specified.

Metric			
Order No.	Range (mm)	Content of Set	
568-924	6 - 12	Display unit	1 pc
		Measuring head	
		6 - 8 mm	1 pc
		8 - 10 mm	1 pc
		10 - 12 mm	1 pc
		Attachment	1 pc
		Setting ring (ø8, ø10)	1 pc each
Spanner	3 pcs		
568-925	12 - 25	Display unit	1 pc
		Measuring head	
		12 - 16 mm	1 pc
		16 - 20 mm	1 pc
		20 - 25 mm	1 pc
		Attachment	2 pcs
		Setting ring (ø16, ø20)	1 pc each
Spanner	2 pcs		
568-926	25 - 50	Display unit	1 pc
		Measuring head	
		25 - 30 mm	1 pc
		30 - 40 mm	1 pc
		40 - 50 mm	1 pc
		Attachment	1 pc
		Setting ring (ø30, ø40)	1 pc each
Spanner	2 pcs		
568-927	50 - 100	Display unit	1 pc
		Measuring head	
		50 - 63 mm	1 pc
		62 - 75 mm	1 pc
		75 - 88 mm	1 pc
		87 - 100 mm	1 pc
		Attachment	1 pc
Setting ring (ø62, ø87)	1 pc each		
Spanner	2 pcs		

Inch / Metric			
Order No.	Range (in)	Content of Set	
568-928	0.275 - 0.5	Display unit	1 pc
		Measuring head	
		0.275 - 0.35 in	1 pc
		0.35 - 0.425 in	1 pc
		0.425 - 0.5 in	1 pc
		Attachment	1 pc
		Setting ring (0.35 in DIA, 0.425 in DIA)	1 pc each
Spanner	3 pcs		
568-929	0.5 - 1	Display unit	1 pc
		Measuring head	
		0.5 - 0.65 in	1 pc
		0.65 - 0.8 in	1 pc
		0.8 - 1 in	1 pc
		Attachment	2 pcs
		Setting ring (0.65 in DIA, 0.8 in DIA)	1 pc each
Spanner	2 pcs		
568-930	1 - 2	Display unit	1 pc
		Measuring head	
		1 - 1.2 in	1 pc
		1.2 - 1.6 in	1 pc
		1.6 - 2 in	1 pc
		Attachment	1 pc
		Setting ring (1.2 in DIA, 1.6 in DIA)	1 pc each
Spanner	2 pcs		
568-936	2 - 4	Display unit	1 pc
		Measuring head	
		2 - 2.5 in	1 pc
		2.5 - 3 in	1 pc
		3 - 3.5 in	1 pc
		3.5 - 4 in	1 pc
		Attachment	1 pc
Setting ring (2.5 in DIA, 3.5 in DIA)	1 pc each		
Spanner	2 pcs		

Non-Interchangeable-Head Snap-Open Bore Gage Sets

Each set includes complete gages (display units and measuring heads for each size).

Metric			
Order No.	Range (mm)	Content of Set	
568-955	6 - 12	Display unit	
		6 - 8 mm	1 pc
		8 - 10 mm	1 pc
		10 - 12 mm	1 pc
		Setting ring (ø8, ø10)	1 pc each
		Spanner	3 pcs
568-956	12 - 25	Display unit	
		12 - 16 mm	1 pc
		16 - 20 mm	1 pc
		20 - 25 mm	1 pc
		Setting ring (ø16, ø20)	1 pc each
		Spanner	2 pcs
568-957	25 - 50	Display unit	
		25 - 30 mm	1 pc
		30 - 40 mm	1 pc
		40 - 50 mm	1 pc
		Setting ring (ø30, ø40)	1 pc each
		Spanner	2 pcs
568-958	50 - 75	Display unit	
		50 - 63 mm	1 pc
		62 - 75 mm	1 pc
		Setting ring (ø62)	1 pc
		Spanner	2 pcs
		568-959	75 - 100
75 - 88 mm	1 pc		
87 - 100 mm	1 pc		
Setting ring (ø87)	1 pc		
Spanner	2 pcs		

Inch / Metric			
Order No.	Range (in)	Content of Set	
568-965	0.275 - 0.5	Display unit	
		0.275 - 0.35 in	1 pc
		0.35 - 0.425 in	1 pc
		0.425 - 0.5 in	1 pc
		Setting ring (0.35 in DIA, 0.425 in DIA)	1 pc each
		Spanner	3 pcs
568-966	0.5 - 1	Display unit	
		0.5 - 0.65 in	1 pc
		0.65 - 0.8 in	1 pc
		0.8 - 1 in	1 pc
		Setting ring (0.65 in DIA, 0.8 in DIA)	1 pc each
		Spanner	2 pcs
568-967	1 - 2	Display unit	
		1 - 1.2 in	1 pc
		1.2 - 1.6 in	1 pc
		1.6 - 2 in	1 pc
		Setting ring (1.2 in DIA, 1.6 in DIA)	1 pc each
		Spanner	2 pcs
568-968	2 - 3	Display unit	
		2 - 2.5 in	1 pc
		2.5 - 3 in	1 pc
		Setting ring (2.5 in DIA)	1 pc
		Spanner	2 pcs
		568-969	3 - 4
3 - 3.5 in	1 pc		
3.5 - 4 in	1 pc		
Setting ring (3.5 in DIA)	1 pc		
Spanner	2 pcs		



568-924



568-926



568-955



568-957



568-959