

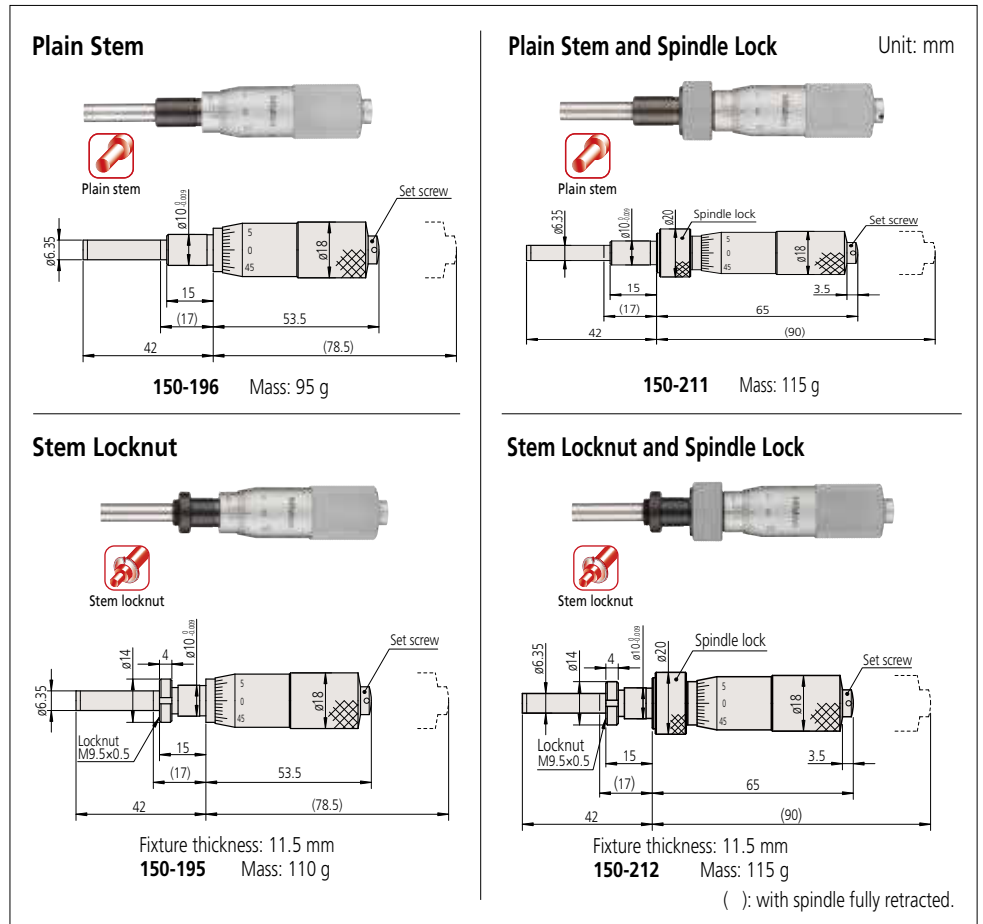
## Micrometer Heads SERIES 150 — Medium-sized Standard Type

### Technical Data

- Graduation: 0.01 mm, 0.001 mm, 0.001 in or 0.0001 in
- Spindle pitch: 0.5 mm or 0.025 in
- Measuring face  
Material: Carbide  
(Only long spindle model is carbide tipped)  
Hardness: 90 HRA or more  
(Only long spindle model is 60 HRC or more)  
Lapped
- Scale finishing:  
Satin-chrome plated

- Measuring stroke of 25 mm.

### DIMENSIONS



### SPECIFICATIONS

Metric						
Order No.	Stroke (mm)	Accuracy (μm)	Stem dia. (mm)	Stem	Spindle end	Special features
150-192	25	±2	10	Plain	Flat (carbide tip)	Standard
150-191				W/clamp nut		
150-209				Plain*1		
150-210				W/clamp nut*1	Spherical (SR4) (carbide tip)	
150-801				Plain		
150-802				W/clamp nut	Reverse reading	
150-821				Plain		
150-822				W/clamp nut		
150-190				Plain	W/vernier (0.001 mm)	
150-189				W/clamp nut		
150-183*2				Plain*1		
150-184				W/clamp nut*1		Flat (carbide tip)
150-196				Plain		
150-195				W/clamp nut		w/o ratchet stop
150-211				Plain*1		
150-212				W/clamp nut*1	Flat	
150-219				Plain		
150-220				W/clamp nut	Spherical (SR4) (carbide tip)	
150-803*2				Plain*1		
150-804*2				W/clamp nut*1	Flat (carbide tip)	
150-823*2				Plain*1		
150-824*2				W/clamp nut*1	Reverse reading	
150-223*2	Plain*1					
150-224*2	W/clamp nut*1	Flat				

Inch						
Order No.	Stroke (in)	Accuracy (in)	Stem dia. (in)	Stem	Spindle end	Special features
150-208	1	±0.0001	0.375	Plain	Flat (carbide tip)	Standard
150-207				W/clamp nut		
150-213*2				Plain*1		
150-214*2				W/clamp nut*1	Spherical (SR4) (carbide tip)	
150-811				Plain		
150-812				W/clamp nut	Reverse graduation	
150-831				Plain		
150-832				W/clamp nut		
150-206				Plain	W/vernier (0.0001 in)	
150-205*2				W/clamp nut		
150-215*2				Plain*1		
150-216*2				W/clamp nut*1		Flat (carbide tip)
150-198				Plain		
150-197				W/clamp nut		w/o ratchet stop
150-217*2				Plain*1		
150-218*2				W/clamp nut*1	Flat	
150-221*2				Plain		
150-222*2				W/clamp nut	Long spindle	

\*1 With spindle lock \*2 Made-to-order models

\*1 With spindle lock \*2 Made-to-order models

# Micrometer Head

The origin of Mitutoyo's trustworthy brand of small tool instruments

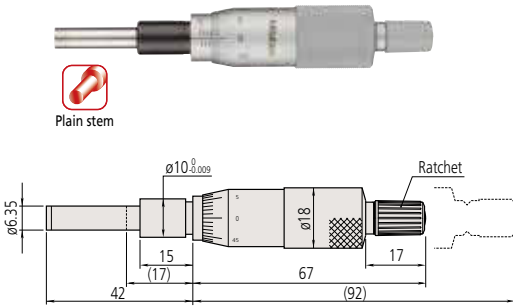
## Micrometer Heads SERIES 150 — Medium-sized Standard Type

### DIMENSIONS

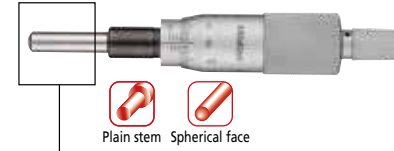
#### Plain Stem

Mass: 95 g

( ): with spindle fully retracted. Unit: mm



150-192



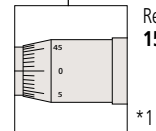
Spherical face  
150-801

SR4 \*1



Plain stem

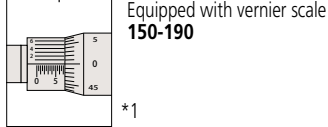
Reverse reading  
150-821



\*1

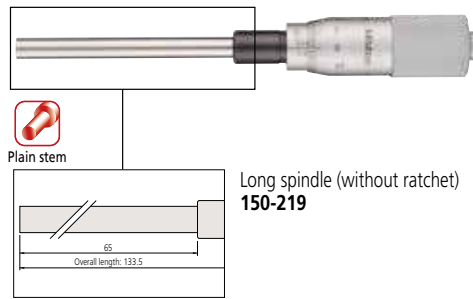


Plain stem



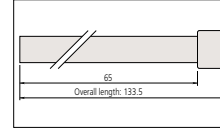
Equipped with vernier scale  
150-190

\*1



Plain stem

Long spindle (without ratchet)  
150-219



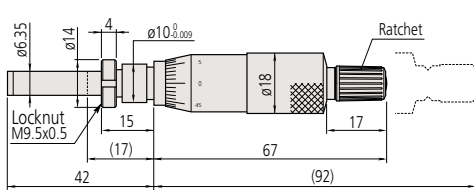
\*1 Other dimensions are the same as 150-192.

#### Stem Locknut

Mass: 100 g



Stem locknut



Fixture thickness: 11.5 mm  
150-191



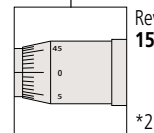
Spherical face  
150-802

SR4 \*2



Stem locknut

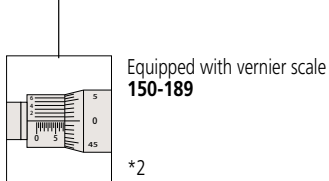
Reverse reading  
150-822



\*2

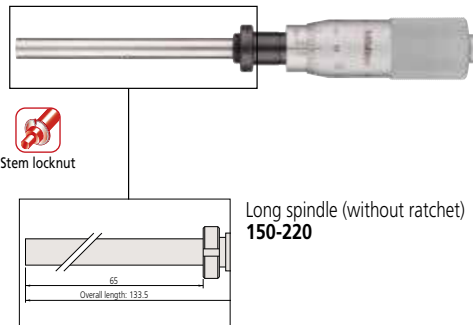


Stem locknut



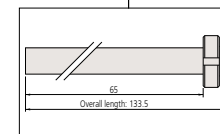
Equipped with vernier scale  
150-189

\*2



Stem locknut

Long spindle (without ratchet)  
150-220



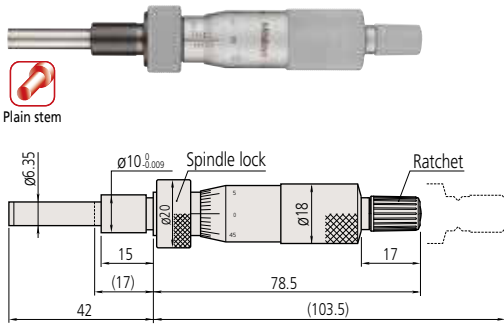
\*2 Other dimensions are the same as 150-191.

# Micrometer Heads SERIES 150 — Medium-sized Standard Type

## DIMENSIONS

### Plain Stem and Spindle Lock Mass: 110 g

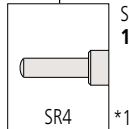
( ): with spindle fully retracted. Unit: mm



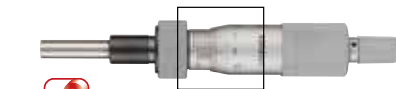
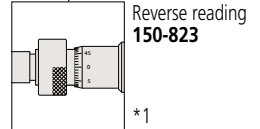
150-209



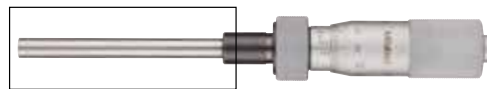
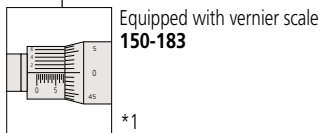
Plain stem Spherical face  
150-803



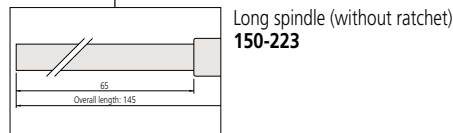
Plain stem



Plain stem

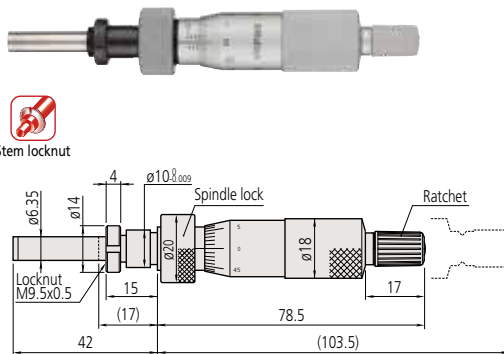


Plain stem



\*1 Other dimensions are the same as 150-209.

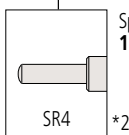
### Stem Locknut and Spindle Lock Mass: 115 g



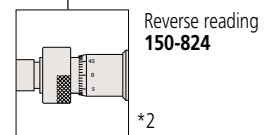
Fixture thickness: 11.5 mm  
150-210



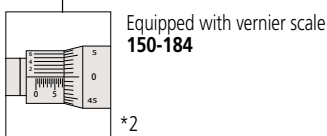
Stem locknut Spherical face



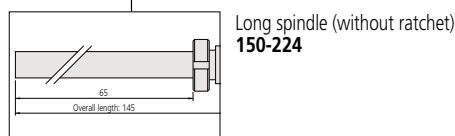
Stem locknut



Stem locknut



Stem locknut



\*2 Other dimensions are the same as 150-210.