

# Micrometer Head

The origin of Mitutoyo's trustworthy brand of small tool instruments

## Micrometer Heads

### SERIES 151 — Medium-sized Standard Type with 8 mm Diameter Spindle

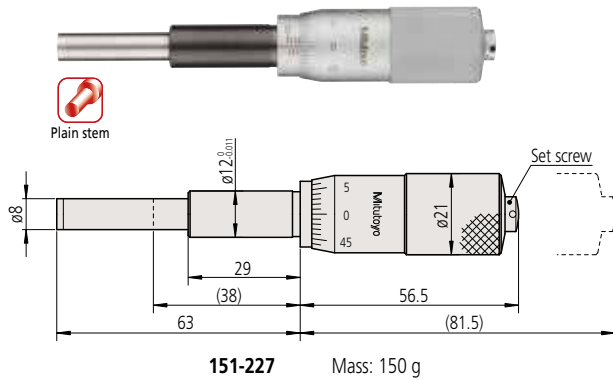
- Larger spindle ( $\varnothing 8$  mm) for heavy-duty applications (normally  $\varnothing 6.35$  mm).

#### Technical Data

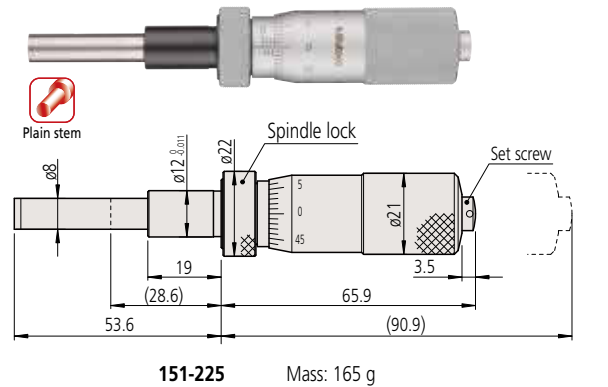
- Graduation: 0.01 mm, 0.001 mm, 0.001 in or 0.0001 in
- Spindle pitch: 0.5 mm or 0.025 in
- Measuring face  
Material: Carbide  
Hardness: 90 HRA or more  
Lapped
- Scale finishing:  
Satin-chrome plated

## DIMENSIONS

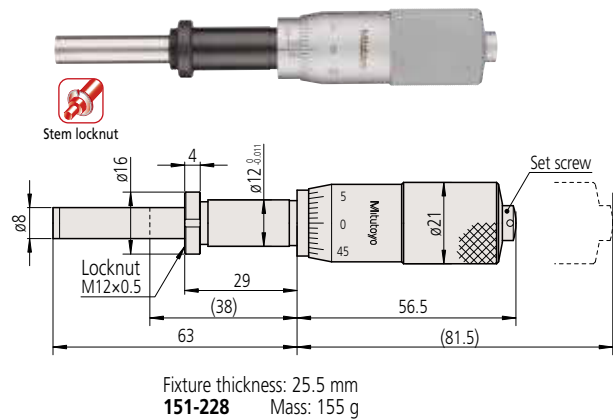
### Plain Stem



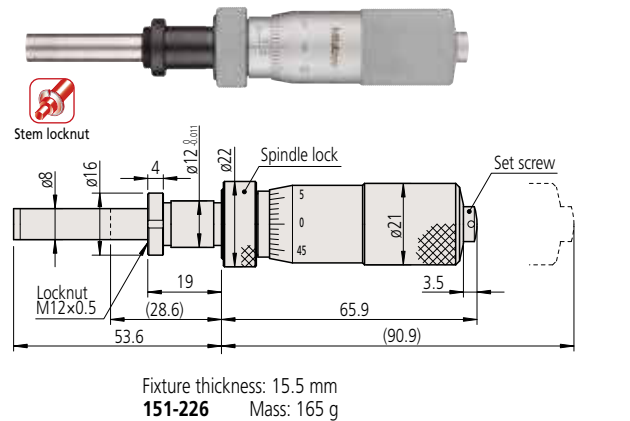
### Plain Stem and Spindle Lock



### Stem Locknut



### Stem Locknut and Spindle Lock



( ) : with spindle fully retracted.

## SPECIFICATIONS

Metric						
Order No.	Stroke (mm)	Accuracy ( $\mu$ m)	Stem dia. (mm)	Stem	Spindle end	Special features
151-224	25	$\pm 2$	12	Plain	Flat (carbide tip)	—
151-223				W/clamp nut		
151-214*2				Plain*1		
151-213*2				W/clamp nut*1		
151-222				Plain		
151-221				W/clamp nut		
151-212*2				Plain*1		
151-211*2				W/clamp nut*1		
151-227				Plain		
151-228				W/clamp nut		
151-225				Plain*1		
151-226				W/clamp nut*1		
151-256				Plain		
151-255				W/clamp nut		
151-260				Plain		
151-259	W/clamp nut					

\*1 With spindle lock \*2 Made-to-order models

Inch						
Order No.	Stroke (in)	Accuracy (in)	Stem dia. (in)	Stem	Spindle end	Special features
151-240	0.1	$\pm 0.0001$	0.5	Plain	Flat (carbide tip)	—
151-239				W/clamp nut		
151-238				Plain		
151-237				W/clamp nut		
151-241*2				Plain*1		
151-242*2				W/clamp nut*1		
151-243*2				Plain*1		
151-244*2				W/clamp nut*1		
151-272				Plain		
151-271				W/clamp nut		

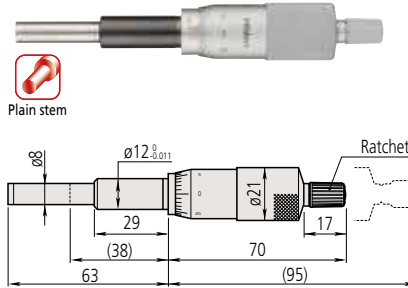
\*1 With spindle lock \*2 Made-to-order models

# Micrometer Heads

## SERIES 151 — Medium-sized Standard Type with 8 mm Diameter Spindle

### DIMENSIONS

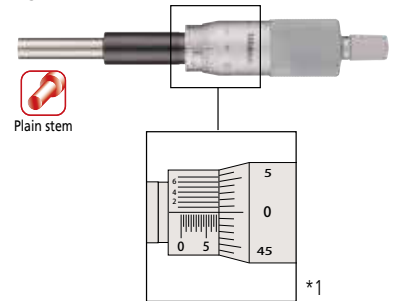
#### Plain Stem



**151-224** Mass: 150 g

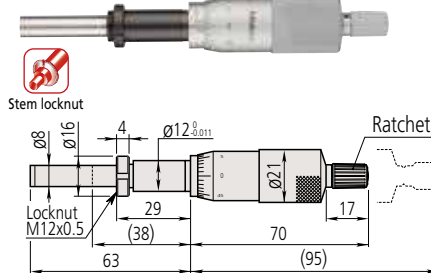
Equipped with vernier scale  
**151-222**

Unit: mm



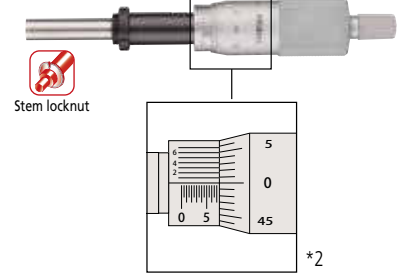
\*1 Other dimensions are the same as **151-224**.

#### Stem Locknut



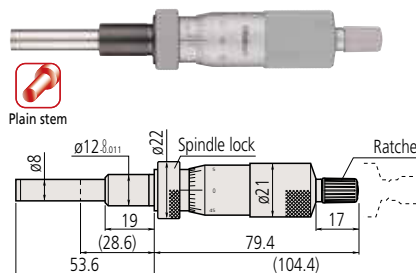
Fixture thickness: 25.5 mm  
**151-223** Mass: 155 g

Equipped with vernier scale  
**151-221**



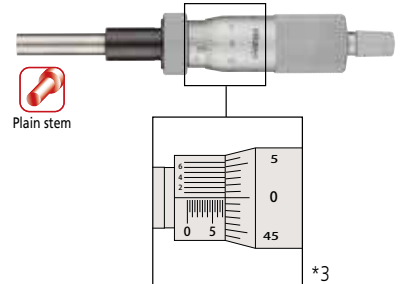
\*2 Other dimensions are the same as **151-223**.

#### Stem Locknut and Spindle Lock



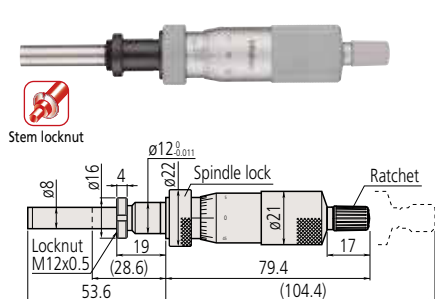
**151-214** Mass: 160 g

Equipped with vernier scale  
**151-212**



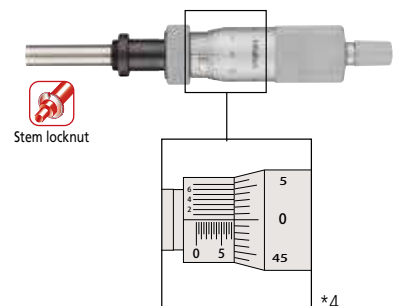
\*3 Other dimensions are the same as **151-214**.

#### Stem Locknut and Spindle Lock



Fixture thickness: 15.5 mm  
**151-213** Mass: 165 g

Equipped with vernier scale  
**151-211**



\*4 Other dimensions are the same as **151-213**.  
( ): with spindle fully retracted.

# Micrometer Head

The origin of Mitutoyo's trustworthy brand of small tool instruments

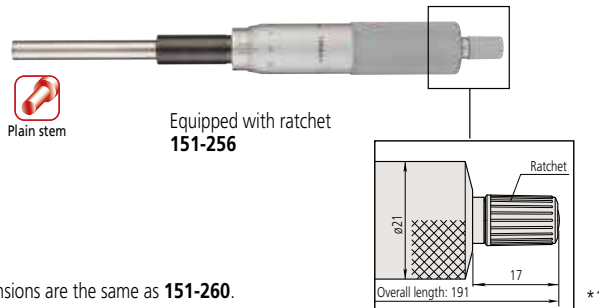
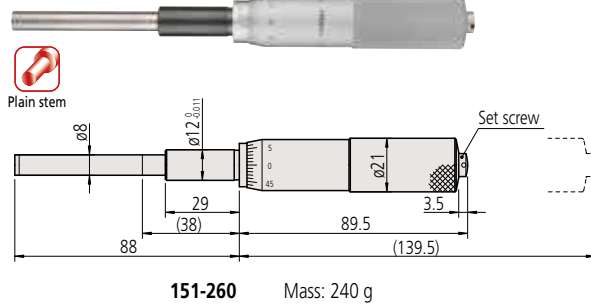
## Micrometer Heads

### SERIES 151 — Medium-sized Standard Type with 8 mm Diameter Spindle

#### DIMENSIONS

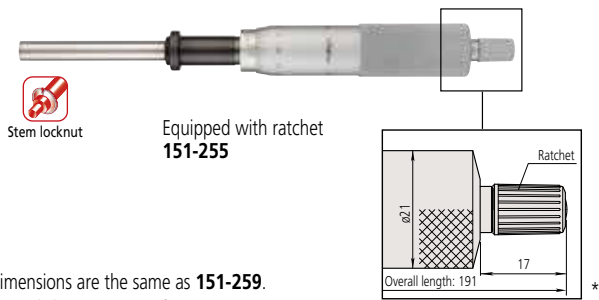
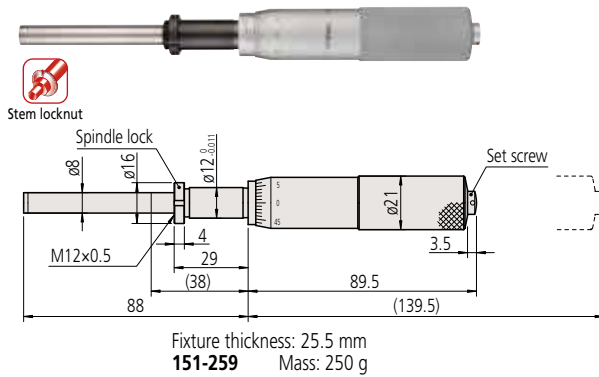
##### Plain Stem

Unit: mm



\*1 Other dimensions are the same as 151-260.

##### Stem Locknut



\*2 Other dimensions are the same as 151-259.  
( ): with spindle fully retracted.