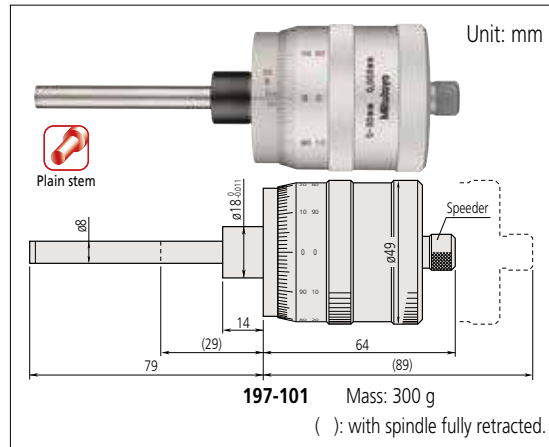


Technical Data

- Measuring face
Material: Carbide
Hardness: 90 HRA or more
Lapped
- Scale finishing:
White anodized aluminum

Micrometer Heads SERIES 197 — Long Stroke Non-rotating Spindle

DIMENSIONS



- Large thimble micrometer head with non-rotating spindle.
- Floating thimble allows easy zero setting at any spindle position.
- Dual-spindle mechanism for quick feed of 1 mm/rev (standard models: 0.5 mm/rev).

SPECIFICATIONS

Metric									
Order No.	Stroke	Graduation	Accuracy	Stem dia.	Stem	Spindle end	Spindle pitch	Graduation features	
197-101	50 mm	0.005 mm	$\pm 5 \mu\text{m}$	18 mm	Plain	Flat (carbide tip)	1 mm	Bidirectional	

Inch									
Order No.	Stroke	Graduation	Accuracy	Stem dia.	Stem	Spindle end	Spindle pitch	Graduation features	
197-201	2 in	0.0002 in	± 0.0001 in	0.709 in	Plain	Flat (carbide tip)	0.05 in	Bidirectional	

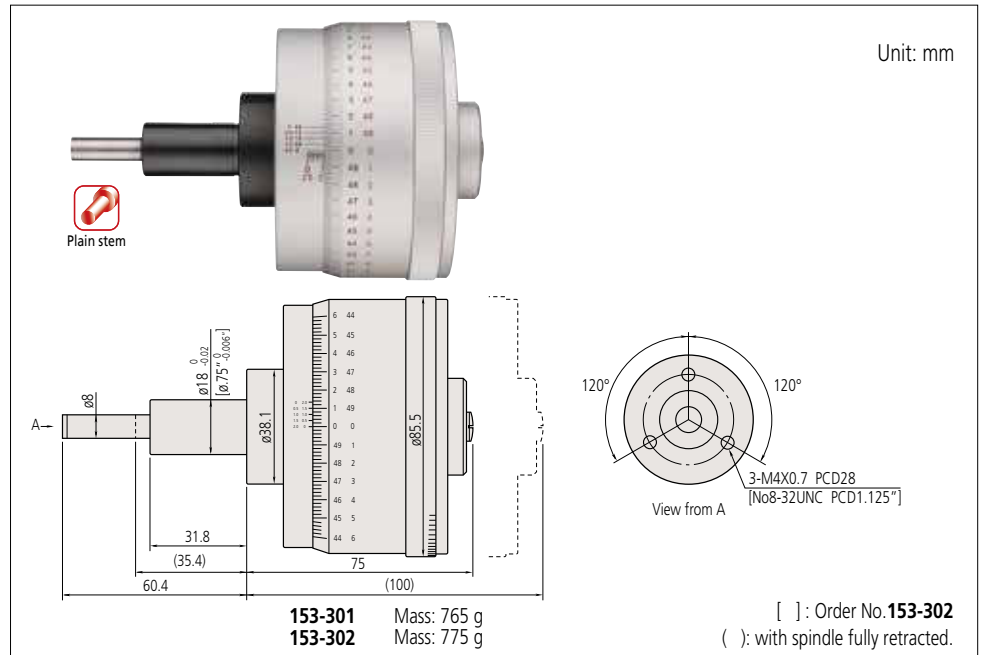
Technical Data

- Measuring face
Material: Carbide
Hardness: 90 HRA or more
Lapped
- Scale finishing:
White anodized aluminum

Micrometer Heads SERIES 153 — High Accuracy and Resolution

- Fine graduation and high resolution model.
- Non-rotating spindle type.

DIMENSIONS



SPECIFICATIONS

Metric									
Order No.	Stroke	Graduation	Accuracy*	Stem dia.	Stem	Spindle end	Spindle pitch	Graduation features	
153-301	25 mm	0.0005 mm	$\pm 1/\pm 0.5 \mu\text{m}$	18 mm	Plain	Flat (carbide tip)	0.5 mm	Bidirectional	

Inch									
Order No.	Stroke	Graduation	Accuracy*	Stem dia.	Stem	Spindle end	Spindle pitch	Graduation features	
153-302	1 in	0.00001 in	± 0.00005 in/ ± 0.00003 in	0.75 in	Plain	Flat (carbide tip)	0.025 in	Bidirectional	

* Wide range/narrow range