

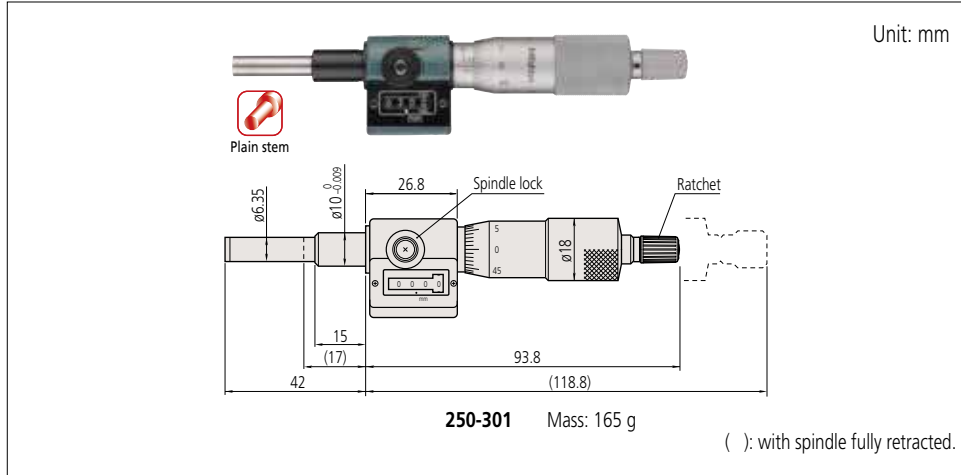
Micrometer Head

The origin of Mitutoyo's trustworthy brand of small tool instruments

Micrometer Heads SERIES 250 — Digit Counter Type

- Digit counter for easy reading of spindle movement.

DIMENSIONS



SPECIFICATIONS

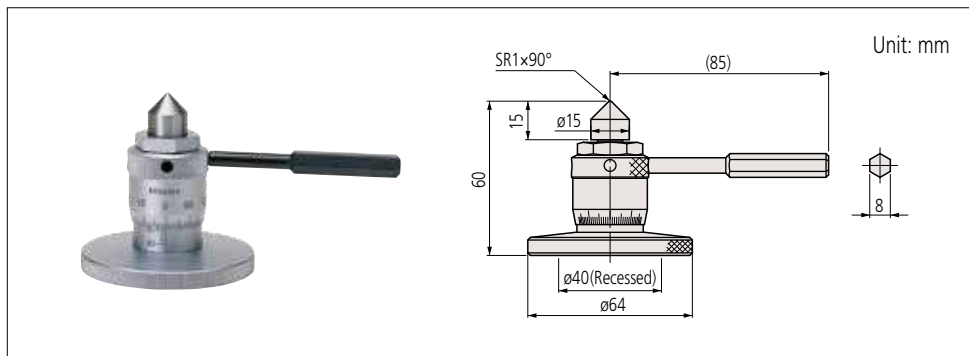
Metric								
Order No.	Stroke (mm)	Graduation (mm)	Stem dia. (mm)	Stem	Spindle end	Spindle pitch (mm)	Graduation features	Accuracy (μm)
250-301	25	0.01	10	Plain	Flat (carbide tip)	0.5	—	±2

Inch								
Order No.	Stroke (in)	Graduation (in)	Stem dia. (in)	Stem	Spindle end	Spindle pitch (in)	Graduation features	Accuracy (in)
250-312	1	0.0001	0.375	Plain	Flat (carbide tip)	0.025	Vernier scale	±.0001

Micro Jack SERIES 7

- Used for accurate leveling of machines, surface plates, and other precision instruments.
- Zero-setting is possible at any position.
- Easy adjustment under heavy load.

DIMENSIONS



SPECIFICATIONS

Metric				
Order No.	Stroke (mm)	Graduation (mm)	Remarks (kg)	Handle power at the max. loading (N)
7850	60 - 75	0.01	Max. load: 400	90

Technical Data

- Measuring face
Material: Carbide
Hardness: 90 HRA or more
Lapped
- Scale finishing:
Satin-chrome plated

Technical Data

- Measuring face
Material: Alloy tool steel
Hardness: 60 HRC or more
Lapped
- Scale finishing:
Satin-chrome plated

