

Micrometer

The origin of Mitutoyo's trustworthy brand of small tool instruments

Micrometer Stands SERIES 156

- Designed to allow benchtop use of hand micrometers or other gages which have frames suitable for gripping by the clamp. Reduces the influence of temperature changes due to body heat, enabling higher-accuracy measurement.



156-105-10



156-101-10



156-102



156-105-10



156-101-10

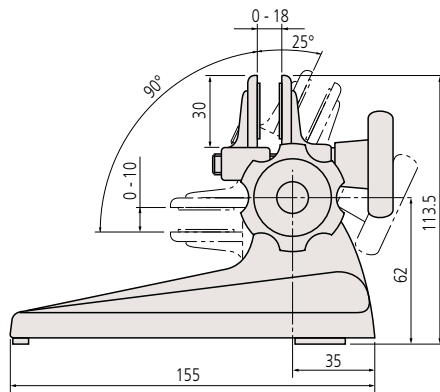
SPECIFICATIONS

Order No.	Micrometer ranges	Remarks
156-101-10	Up to 100 mm (4 in)*	Adjustable angle type
156-105-10	0-25 mm (0-1 in), 25-50 mm (1-2 in)	Fixed angle type
156-102	125-300 mm (5-12 in)	Vertical type
156-103	300-1000 mm (12-40 in)	Vertical type

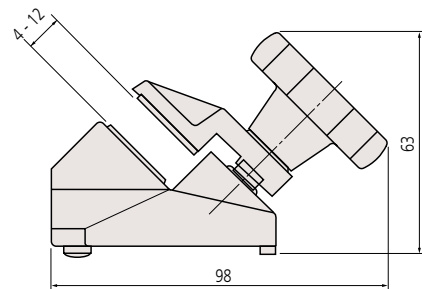
* Items that cannot be mounted on these stands
(Order No. 406-253-30, 323-253-30, 331-254-30, 342-254-30, 342-264-30, 369-253-30, 422-232-30, 422-233-30, etc.)

DIMENSIONS

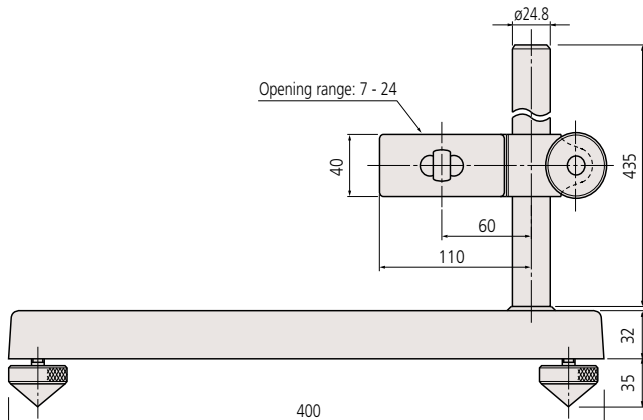
Unit: mm



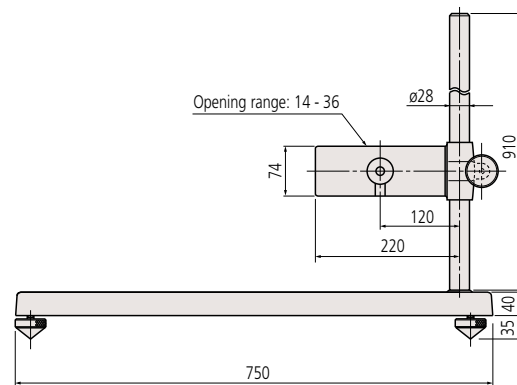
156-101-10



156-105-10



156-102



156-103