

Micrometer

The origin of Mitutoyo's trustworthy brand of small tool instruments

Tube Micrometers SERIES 395, 115, 295

MeasurLink[®] ENABLED
Data Management Software by Mitutoyo

- Measuring faces: Carbide. (115-101: only the spindle is carbide tipped.)
- **series 395:** IP65 digital spherical-flat anvil type micrometer.
- Equipped with Ratchet Stop for constant measuring force.



SPECIFICATIONS

Metric				
Order No.	Range (mm)	Resolution (mm)	Accuracy* (µm)	∅D
Digimatic (LCD)				
395-251-30	0 - 25	0.001	±2	∅15
395-252-30	25 - 50			
395-253-30	50 - 75			
395-254-30	75 - 100			
			±3	∅20

* Excluding quantizing error of ±1 count

Inch/Metric				
Order No.	Range (in)	Resolution	Accuracy* (in)	∅D (in)
Digimatic (LCD)				
395-351-30	0 - 1	0.00005 in/ 0.001 mm	±0.0001	∅0.59
395-352-30	1 - 2			
395-353-30	2 - 3			
395-354-30	3 - 4			
			±0.00015	∅0.79

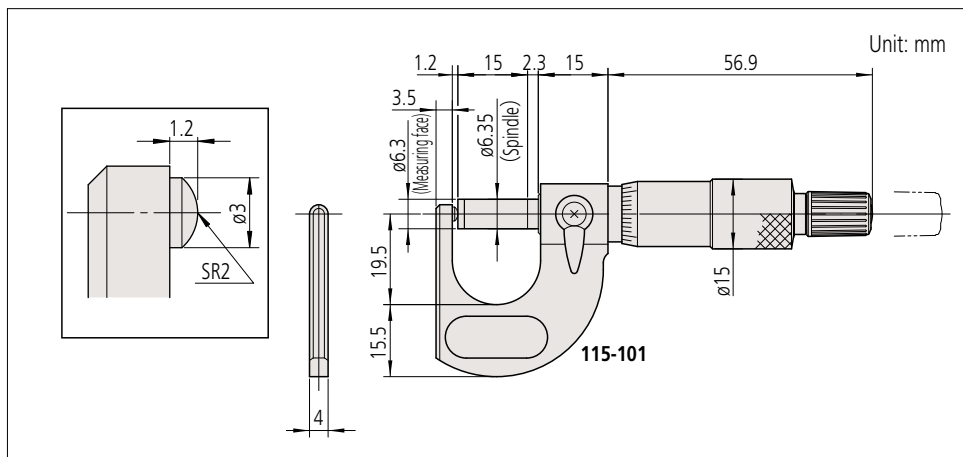
* Excluding quantizing error of ±1 count

Metric				
Order No.	Range (mm)	Graduation (mm)	Accuracy (µm)	∅D
Analog				
115-101	0 - 15	0.01	±3	∅5.5
115-115	0 - 25			∅10
115-116	25 - 50			∅11
115-117	50 - 75			∅17
115-118	75 - 100			∅18
				±4
Mechanical counter model				
295-115	0 - 25		±3	∅10

Inch				
Order No.	Range (in)	Graduation (in)	Accuracy (in)	∅D (in)
Analog				
115-153	0 - 1	0.0001	±0.00015	∅0.40
Mechanical counter model				
295-153	0 - 1	0.0001	±0.00015	∅0.40

Note: For functional details of **series 395** refer to page B-8.
Optional connecting cable is available only for water-proof type (Digimatic model).

DIMENSIONS



MeasurLink[®] ENABLED
Data Management Software by Mitutoyo

Products equipped with the measurement data output function can be connected to the measurement data network system MeasurLink (refer to page A-5 for details).

IP 65

These marks indicate that a product has successfully passed IP65-level testing, which is carried out by the independent German certification organization TÜV Rheinland.

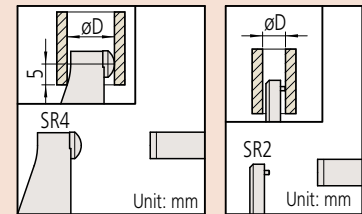
TÜV Rheinland
CERTIFIED
www.tuv.com
ID 000040191

IP Codes (series 395)

- Level 6: Dust-proof.
No ingress of dust allowed.
- Level 5: Protected against water jets.
Water projected in jets against the enclosure from any direction shall have no harmful effects.

Technical Data

- Flatness: 0.6 µm/0.000024 in (**series 115 & 295**)
0.3 µm/0.000012 in (**series 395**)



Other than **115-101** **115-101**

Technical Data

- Battery for **series 395**
SR44 (1 pc.), **938882**, for initial operational checks (standard accessory)
- Battery life: Approx. 2.4 years under normal use (for **series 395**)
- Length standard: Electromagnetic rotary sensor (for **series 395**)
- Standard accessories: Reference bar, 1 pc. (except for measuring range 0-15 mm/0-25 mm (0-1 in) models)
Spanner (**200168**), 1 pc. (for **series 115-101**)
Spanner (**301336**), 1 pc. (for models other than **series 115-101**)

Optional Accessories

- Connecting cables for **series 395**
1 m: **05CZA662**
2 m: **05CZA663**
- USB Input Tool Direct
USB-ITN-B (2 m): **06AFM380B**
- **U-WAVE-T** dedicated connection cable
160 mm: **02AZD790B**
For foot switch: **02AZE140B**
Refer to page A-25 for details.

Wireless Data Output U-WAVE^{fit}

- **U-WAVE-TM** **264-622** (IP67 type)
264-623 (Buzzer type)
- Connecting unit for **U-WAVE-TM**
02AZF310 (IP67/buzzer type common specification)
Refer to page A-15 for details.



These marks indicate that a product has successfully passed IP65-level testing, which is carried out by the independent German certification organization TÜV Rheinland.



www.tuv.com
ID 0000640191

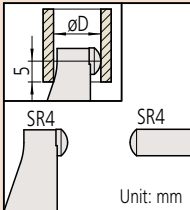
IP Codes (series 395)

Level 6: Dust-proof.

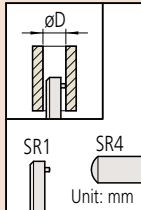
No ingress of dust allowed.

Level 5: Protected against water jets.

Water projected in jets against the enclosure from any direction shall have no harmful effects.



Other than 115-201



115-201

Technical Data

- Battery for **series 395**
SR44 (1 pc.), **938882**, for initial operational checks (standard accessory)
- Battery life: Approx. 2.4 years under normal use (for **series 395**)
- Length standard: Electromagnetic rotary sensor (for **series 395**)
- Standard accessories: Reference bar, 1 pc. (except for measuring range 0-15 mm/0-25 mm (0-1 in) models)
Spanner (**200168**), 1 pc. (for **series 115-201**)
Spanner (**301336**), 1 pc. (for models other than **series 115-201**)

Optional Accessories

- Connecting cables for **series 395**
1 m: **05CZA662**
2 m: **05CZA663**
- USB Input Tool Direct
USB-ITN-B (2 m): **06AFM380B**
- U-WAVE-T** dedicated connection cable
160 mm: **02AZD790B**
For foot switch: **02AZE140B**
Refer to page A-25 for details.

Wireless Data Output **U-WAVE™**

- U-WAVE-TM 264-622** (IP67 type)
264-623 (Buzzer type)
- Connecting unit for **U-WAVE-TM**
02AZF310 (IP67 / buzzer type common specification)
Refer to page A-15 for details.

Tube Micrometers SERIES 395, 115, 295 — Spherical Anvil and Spindle Type

- Measuring faces: Carbide.
(**115-201**: only the spindle is carbide tipped.)
- series 395**: IP65 spherical anvil and spindle type digital micrometer.
- Equipped with Ratchet Stop for constant measuring force.



SPECIFICATIONS

Metric				
Order No.	Range (mm)	Resolution (mm)	Accuracy* (µm)	øD
Digimatic (LCD)				
395-271-30	0 - 25	0.001	±2	ø15
395-272-30	25 - 50			ø19
395-273-30	50 - 75			ø20
395-274-30	75 - 100			ø20

* Excluding quantizing error of ±1 count

Inch / Metric				
Order No.	Range (in)	Resolution	Accuracy* (in)	øD (in)
Digimatic (LCD)				
395-371-30	0 - 1	0.00005 in/ 0.001 mm	±0.0001	ø0.59
395-372-30	1 - 2			ø0.75
395-373-30	2 - 3			ø0.79
395-374-30	3 - 4			ø0.79

* Excluding quantizing error of ±1 count

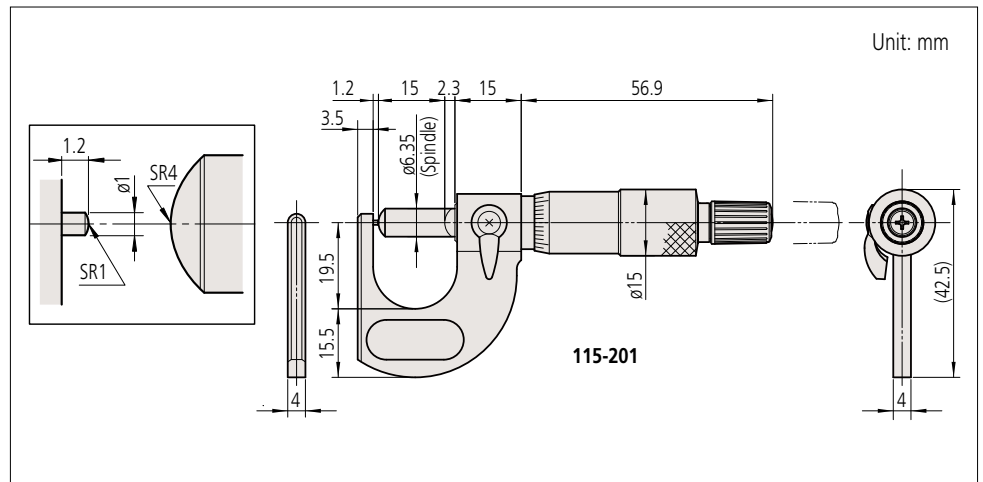
Metric				
Order No.	Range (mm)	Graduation (mm)	Accuracy (µm)	øD
Analog				
115-201	0 - 15	0.01	±3	ø5.5
115-215	0 - 25			ø10
115-216	25 - 50			ø11
115-217	50 - 75			ø17
115-218	75 - 100			ø18
295-215	0 - 25			0.01

Note: For functional details of **series 395** refer to page B-8.

Optional connecting cable is available only for water-proof type (Digimatic model).

Inch				
Order No.	Range (in)	Graduation (in)	Accuracy (in)	øD (in)
Analog				
115-253	0 - 1	0.0001	±0.00015	ø0.40
115-242	1 - 2			ø0.44
115-243	2 - 3			ø0.67
Mechanical counter model				
295-253	0 - 1	0.0001	±0.00015	ø0.40

DIMENSIONS



Micrometer

The origin of Mitutoyo's trustworthy brand of small tool instruments

Tube Micrometers SERIES 395, 115, 295 — Spherical and Cylindrical Anvil Type

MeasurLink[®] ENABLED
Data Management Software by Mitutoyo

- Spindle face: Carbide.
- **Series 395:** IP65 spherical and cylindrical anvil type digital micrometers.
- Equipped with Ratchet Stop for constant measuring force.



395-261-30



SPECIFICATIONS

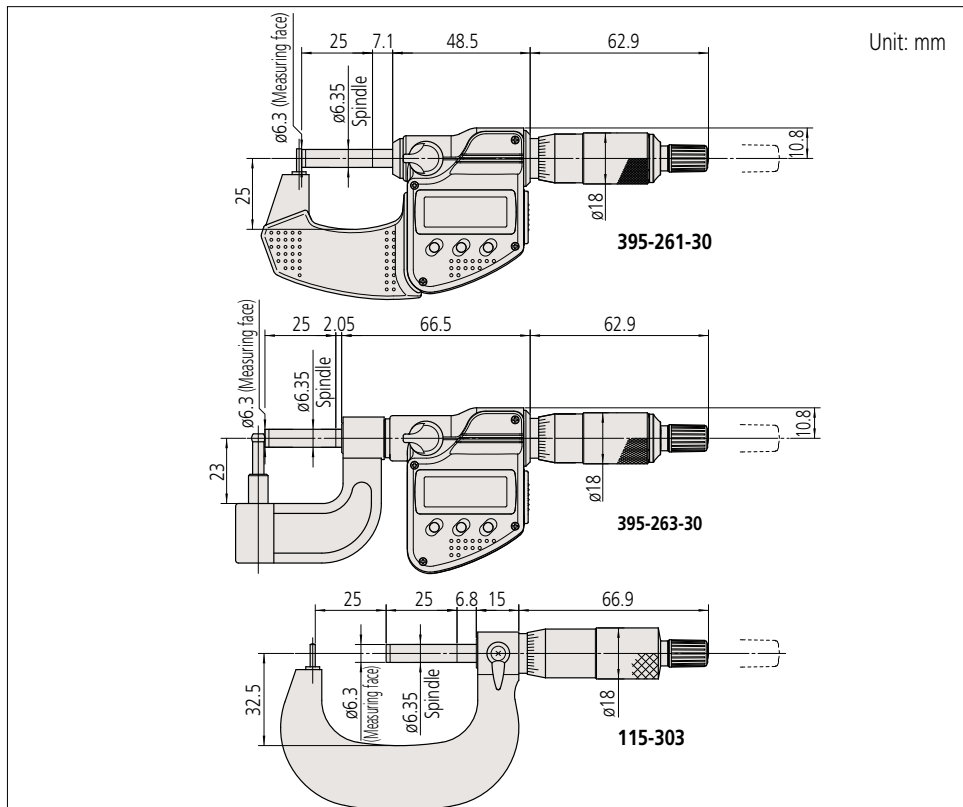
Metric				
Order No.	Range (mm)	Resolution (mm)	Accuracy* (µm)	Remarks
Digimatic (LCD)				
395-261-30	0 - 25	0.001	±3	Type A
395-262-30				Type B
395-263-30				Type C
395-264-30				Type D

* Excluding quantizing error of ±1 count

Metric				
Order No.	Range (mm)	Graduation (mm)	Accuracy (µm)	Remarks
Analog				
115-302	0 - 25	0.01	±3	Type A
115-308				Type B
115-303	25 - 50			Type A
115-309	Type B			
115-315	0 - 25	Type C		
115-316		Type D		

Note: For functional details of **series 395** refer to page B-8.
Optional connecting cable is available only for water-proof type (Digimatic model).

DIMENSIONS



MeasurLink[®] ENABLED
Data Management Software by Mitutoyo

Products equipped with the measurement data output function can be connected to the measurement data network system MeasurLink (refer to page A-5 for details).



These marks indicate that a product has successfully passed IP65-level testing, which is carried out by the independent German certification organization TÜV Rheinland.



IP Codes (series 395)

- Level 6: Dust-proof.
No ingress of dust allowed.
- Level 5: Protected against water jets.
Water projected in jets against the enclosure from any direction shall have no harmful effects.

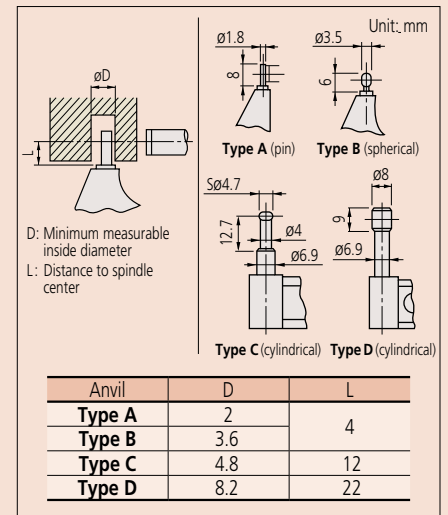
Type A (pin)

Type B (spherical)



Type C (cylindrical)

Type D (cylindrical)



Technical Data

- Battery for **series 395**
SR44 (1 pc.), **938882**, for initial operational checks (standard accessory)
- Battery life: Approx. 2.4 years under normal use (for **series 395**)
- Length standard: Electromagnetic rotary sensor (for **series 395**)
- Standard accessories: Reference bar, 1 pc. (except for measuring range 0-25 mm (0-1 in) models)
Spanner (**301336**), 1 pc.

Optional Accessories

- Connecting cables for **series 395**
1 m: **05CZA662**
2 m: **05CZA663**
- USB Input Tool Direct
USB-ITN-B (2 m): **06AFM380B**
- **U-WAVE-T** dedicated connection cable
160 mm: **02AZD790B**
For foot switch: **02AZE140B**
Refer to page A-25 for details.

Wireless Data Output **U-WAVE^{fit}**

- **U-WAVE-TM** **264-622** (IP67 type)
264-623 (Buzzer type)
- Connecting unit for **U-WAVE-TM**
02AZF310 (IP67/buzzer type common specification)
Refer to page A-15 for details.