

Micrometer

The origin of Mitutoyo's trustworthy brand of small tool instruments

"Uni-Mike" SERIES 317, 117 — Interchangeable Anvil Type

MeasurLink[®] ENABLED
Data Management Software by Mitutoyo

- Measures tubing thickness, shoulder-edge distance, rivet head height, etc., with interchangeable anvils (flat anvil, rod anvil, V-anvil).

- IP65 water/dust protection (**series 317**).
- Equipped with Ratchet Stop for constant measuring force.



317-251-30



117-101

SPECIFICATIONS

Metric			
Order No.	Range (mm)	Resolution (mm)	Accuracy* (µm)
Digimatic (LCD)			
317-251-30	0 - 25	0.001	±4
317-252-30	25 - 50		

* Excluding quantizing error of ±1 count

Metric			
Order No.	Range (mm)	Graduation (mm)	Accuracy (µm)
Analog			
117-101	0 - 25	0.01	±4
117-102	25 - 50		

Note: For functional details of **series 317** refer to page B-8.

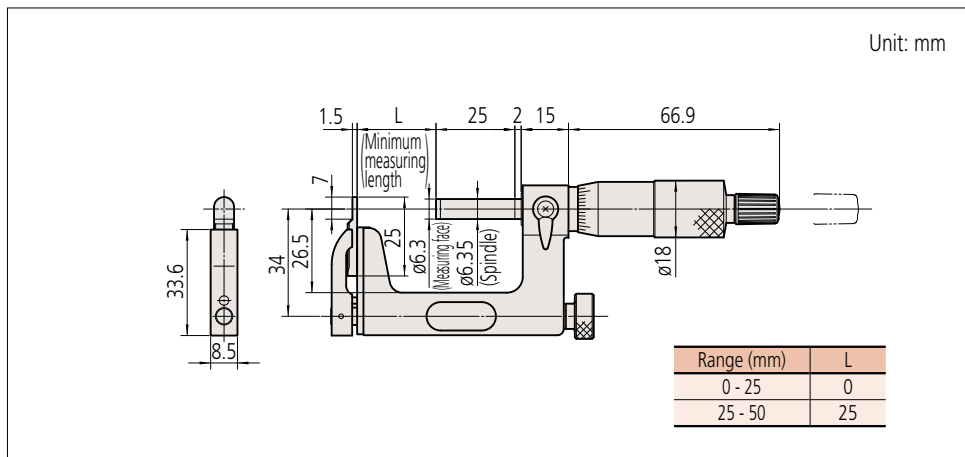
Optional connecting cable is available only for water-proof type (Digimatic model).

Inch/Metric			
Order No.	Range (in)	Resolution	Accuracy* (µm)
Digimatic (LCD)			
317-351-30	0 - 1	0.00005 in/0.001 mm	±0.0002
317-352-30	1 - 2		

* Excluding quantizing error of ±1 count

Inch			
Order No.	Range (in)	Graduation (in)	Accuracy (µm)
Analog			
117-107	0 - 1	0.0001	±0.0002
117-108	1 - 2		

DIMENSIONS



MeasurLink[®] ENABLED
Data Management Software by Mitutoyo

Products equipped with the measurement data output function can be connected to the measurement data network system MeasurLink (refer to page A-5 for details).



These marks indicate that a product has successfully passed IP65-level testing, which is carried out by the independent German certification organization TÜV Rheinland.



IP Codes (series 317)

Level 6: Dust-proof.

No ingress of dust allowed.

Level 5: Protected against water jets.

Water projected in jets against the enclosure from any direction shall have no harmful effects.

Technical Data

- Flatness: Spindle face 0.6 µm/0.000024 in
Anvil face 2 µm/0.00008 in
- Parallelism: 3 µm/0.00012 in



Technical Data

- Battery for **series 317**
SR44 (1 pc.), **938882**, for initial operational checks (standard accessory)
- Battery life: Approx. 2.4 years under normal use (for **series 317**)
- Length standard: Electromagnetic rotary sensor (for **series 317**)
- Standard accessories: Reference bar, 1 pc. (except for measuring range 0-25 mm (0-1 in) models)
Spanner (**200877**), 1 pc. (for **series 117-XXX**)
Spanner (**301336**), 1 pc. (for **series 317-XXX**)

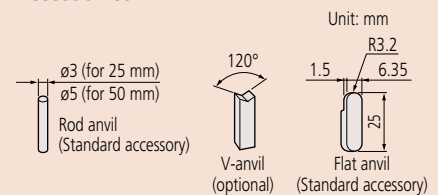
Optional Accessories

- Connecting cables (**series 317**)
1 m: **05CZA662**
2 m: **05CZA663**
- USB Input Tool Direct
USB-ITN-B (2 m): **06AFM380B**
- **U-WAVE-T** dedicated connection cable
160 mm: **02AZD790B**
For foot switch: **02AZE140B**
Refer to page A-25 for details.

Wireless Data Output **U-WAVE™**

- **U-WAVE-TM 264-622** (IP67 type)
264-623 (Buzzer type)
- Connecting unit for **U-WAVE-TM**
02AZF310 (IP67/buzzer type common specification)
Refer to page A-15 for details.

Accessories



Order No.	Item
201216	Flat anvil (standard accessory)
201217	Rod anvil (standard accessory for 117-101/117-107/317-251-30/317-351-30)
201379	Rod anvil (standard accessory for 117-102/117-108/317-252-30/317-352-30)
201218	V-anvil (optional)
950758	Base for 25 mm (optional)