

# Calipers

An industry standard measuring tool

## ABSOLUTE Coolant Proof Carbon Fiber Caliper SERIES 552 — with Standard jaws

- IP66 Absolute Digital Caliper (Refer to page D-8 for Absolute function.)
- Lightweight Digimatic Calipers that employ CFRP (Carbon Fiber Reinforced Plastics) in the beam.
- Allows integration into statistical process control and measurement systems for models with measurement data output connector. Refer to page A-3.



552-303-10

### SPECIFICATIONS

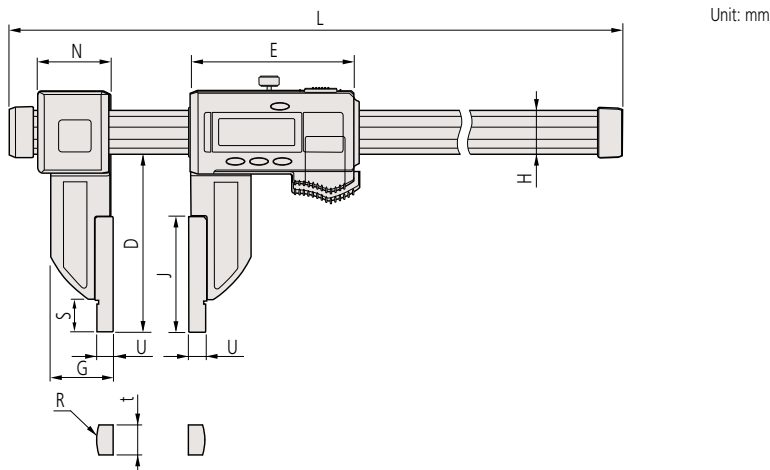
Metric		
Order No.	Range (mm)*	Accuracy (mm)
552-302-10	0 - 450 (20.1 - 470)	±0.04
552-303-10	0 - 600 (20.1 - 620)	±0.04
552-304-10	0 - 1000 (20.1 - 1020)	±0.05
552-305-10	0 - 1500 (20.1 - 1520)	±0.09
552-306-10	0 - 2000 (20.1 - 2020)	±0.12

\* ( ) : Dimension in inside measurement

Inch / Metric		
Order No.	Range (in)*	Accuracy (in)
552-312-10	0 - 18 (0.504 - 18.5)	±0.002
552-313-10	0 - 24 (0.504 - 24.5)	±0.002
552-314-10	0 - 40 (1.004 - 40.5)	±0.002
552-315-10	0 - 60 (1.004 - 60.5)	±0.004
552-316-10	0 - 80 (1.004 - 80.5)	±0.005

\* ( ) : Dimension in inside measurement

### DIMENSIONS



Range	D	E	G	H	J	L	N	R	S	t	U
0-450 mm (0-18 in)	100	91.8	35	25	65	640	41.2	R10	18	8	10 (0.25 in)
0-600 mm (0-24 in)	100	91.8	35	25	65	790	41.2	R10	18	8	10 (0.25 in)
0-1000 mm (0-40 in)	150	113.8	45	32	100	1230	62.8	R10	24	8	10 (0.5 in)
0-1500 mm (0-60 in)	150	113.8	45	32	100	1740	62.8	R10	24	8	10 (0.5 in)
0-2000 mm (0-80 in)	150	113.8	45	32	100	2250	62.8	R10	24	8	10 (0.5 in)

MeasurLink ENABLED  
Data Management Software by Mitutoyo

Products equipped with the measurement data output function can be connected to the measurement data network system MeasurLink (refer to page A-5 for details).

ABSOLUTE™

IP66



www.tuv.com  
ID 0000022582



### Technical Data

- Accuracy: Refer to the list of specifications. (excluding quantizing error)
- Resolution: 0.01 mm or 0.0005 in/0.01 mm
- Material of jaws: Stainless Steel Hardened
- Display: LCD
- Scale type: ABSOLUTE electromagnetic induction linear encoder
- Max. response speed: Unlimited
- Battery: SR44 (1 pc), **938882**, for initial operational checks (standard accessory)
- Battery life: Approx. 5,000 hours in continuous use
- Dust/Water protection level: IP66 (IEC 60529)\*
- Standard accessory: Jaw clamps (2 pcs.), 05GZA033  
\* Rustproofing shall be applied after use if caliper was in contact with coolant.

### Functions

- Zero-setting
- Data hold
- Offsetting
- Presetting
- Data output
- Low-power and low-voltage alert
- Counting value composition error
- Automatic power on/off, inch/mm reading (inch/mm models)

## Optional Accessories

For details, refer to page D-38.

- Connecting cables for **IT/DP/MUX**

- 05CZA624**: SPC cable with data button (1 m)

- 05CZA625**: SPC cable with data button (2 m)



- USB Input Tool Direct

- 06AFM380A**: SPC cable for **USB-ITN-A** (2 m)

- Connecting cables for **U-WAVE-T**

- 02AZD790A**: SPC cable with data button (160 mm)

- 02AZE140A**: SPC cable for foot switch

## Optional accessories

Metric	552-302-10, 552-155-10, 552-303-10 and 552-156-10	552-304-10, 552-305-10 and 552-306-10
Clamp box (1 pair)	914053	914054
Distance measurement jaw (1 pair)		914055
Point ID measurement jaw (1 pair)		914057

Inch/Metric	552-312-10, 552-165-10, 552-313-10 and 552-166-10	552-314-10, 552-315-10, 552-316-10
Clamp box (1 pair)	914053	914054
Distance measurement jaw (1 pair)		914056
Point ID measurement jaw (1 pair)		914058

<p>Distance measurement jaw</p>	<p>Clamp box</p>
<p>Point ID measurement jaw</p>	<p>Distance measurement jaw Accuracy: <math>\pm 0.03</math> mm*</p> <p>(Minimum measurement 10.1 mm)</p> <p>Point ID measurement jaw Accuracy: <math>\pm 0.02</math> mm*</p> <p>(Minimum measurement 50.1 mm)</p>

\* Accuracies shown in the diagrams are of each accessory and accuracy resulting in mounting them on the main body is not guaranteed.