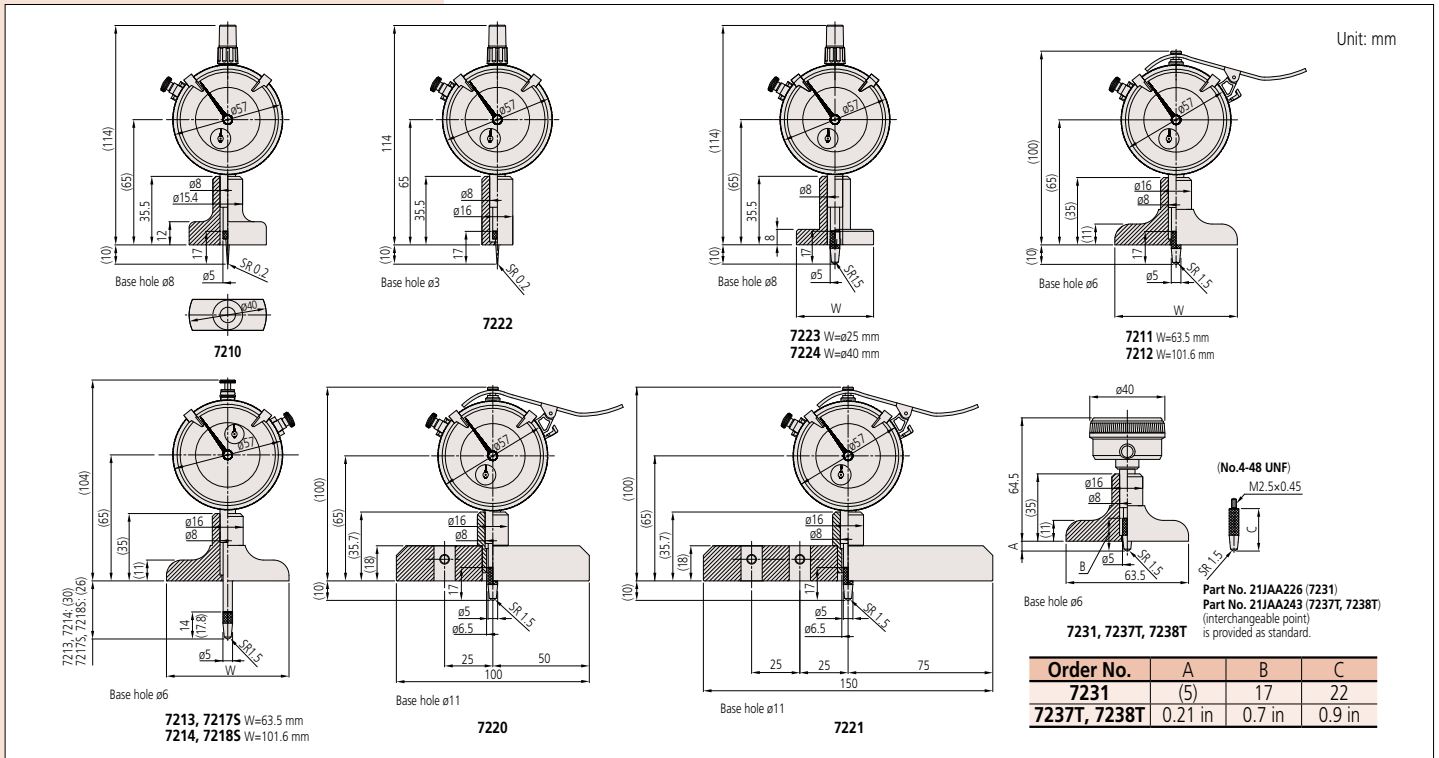


DIMENSIONS



MeasurLink[®] ENABLED
Data Management Software by Mitutoyo

Products equipped with the measurement data output function can be connected to the measurement data network system MeasurLink (refer to page A-5 for details).

ABSOLUTE Digimatic Depth Gage SERIES 547

MeasurLink[®] ENABLED
Data Management Software by Mitutoyo

- Easy-to-read dial effectively prevents misreading.

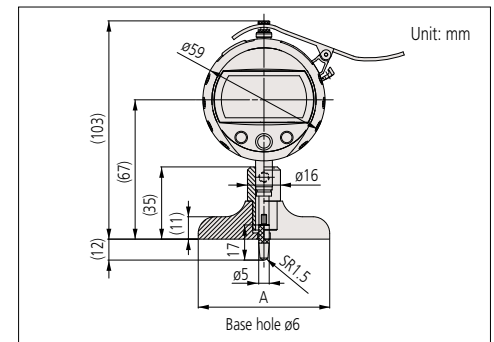
- Allows integration into statistical process control and measurement systems for models with measurement data output connector. Refer to page A-3.

ABSOLUTE™



547-211

DIMENSIONS



SPECIFICATIONS

Metric

Order No.	Range (mm)	Resolution (mm)	Stroke (mm)	Accuracy ^{Note 4} (μm)	Measuring force (N)	Base			Contact point ^{Note 1}	Extension rod ^{Note 2}	Indicator ^{Note 3}
						W (mm)	T (mm)	flatness (μm)			
547-211	0 - 200	0.01	12.7	±20	1.5	63.5	16	5	Provided with a carbide-tipped ball point (21JAA224)	5 pcs. (10, 20, 30, 30, 100 mm)	543-400B
547-212						101.6					
547-251		0.001		63.5							
547-252				101.6							

Inch / Metric

Order No.	Range (in)	Resolution	Stroke (in)	Accuracy ^{Note 4} (in)	Measuring force (N)	Base			Contact point ^{Note 1}	Extension rod ^{Note 2}	Indicator ^{Note 3}
						W (in)	T (in)	flatness (in)			
547-217S	0 - 8	0.0005 in/0.01 mm	0.5	±0.001	1.5	2.5	0.63	0.0002	Provided with a carbide-tipped ball point (21JZA242)	4 pcs. (0.5 in, 1 in, 2 in, 4 in)	543-402B
547-218S						4					
547-257S		0.00005 in/0.001 mm		2.5							
547-258S				4							

Note 1 to 3: Refer to corresponding notes on page D-67.

Note 4: Excluding quantizing error of ±1 count