

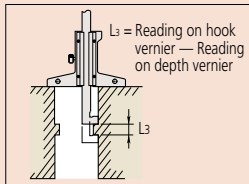
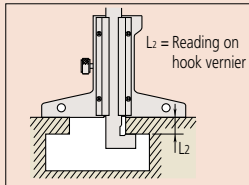
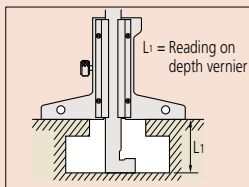
ABSOLUTE™

IP67



www.tuv.com
ID 0000045042

Applications



Optional Accessories for Digimatic Models

For details, refer to page D-38.

• Connection cables for **IT/DP/MUX**

05CZA624: SPC cable with data button (1 m)

05CZA625: SPC cable with data button (2 m)

Note: Optional connecting cable is available only for water-proof type.

• USB Input Tool Direct

06AFM380A: SPC cable for **USB-ITN-A** (2 m)

• Connecting cables for **U-WAVE-T**

02AZD790A: SPC cable with data button (160 mm)

02AZE140A: SPC cable for foot switch

Wireless Data Output **U-WAVE™**

• **U-WAVE-TC**: **264-620** (IP67 type)
264-621 (Buzzer type)

• Connecting unit for **U-WAVE-TC**:

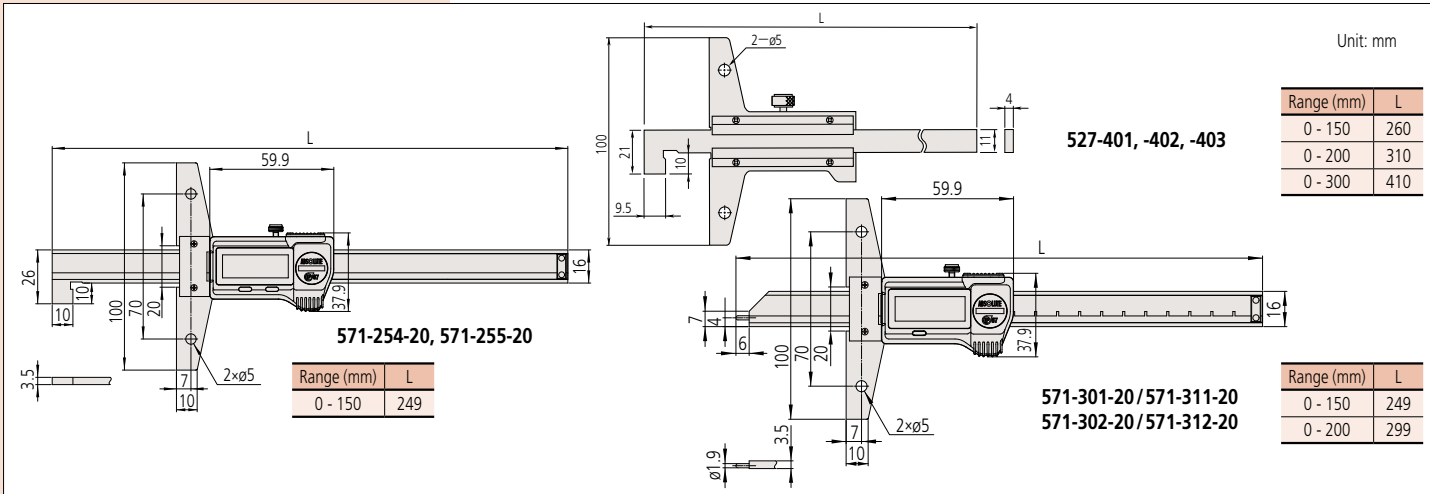
02AZF310 (IP67 type)

Note: IP67 model is water/dust-proofed suitable for the factory floor.

Buzzer type is not water/dust-proofed.

Refer to page A-15 for details.

DIMENSIONS

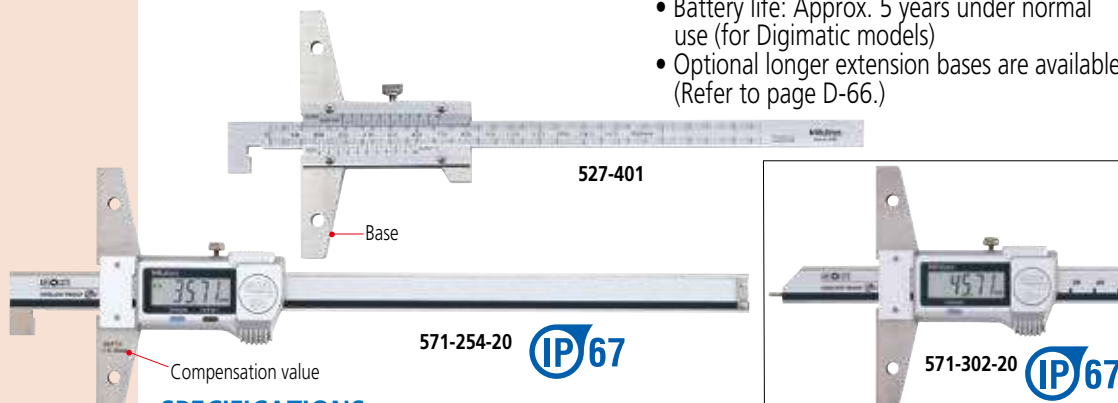


Depth Gage SERIES 527, 571 — Hook End Type

MeasurLink® ENABLED

Data Management Software by Mitutoyo

- The end of the main beam is hook-shaped to allow depth and thickness measurements of a projected portion or lip in a hole, in addition to standard depth measurement.
- Coolant proof models achieve IP67 protection level.
- Enables stable depth measurement with a resolution of 0.01 mm.
- ABSOLUTE Digital Caliper (Refer to page D-8 for ABSOLUTE function.)
- Digimatic models display the compensation value by pressing the OFF switch to allow direct reading.
- Slider operation of the Digimatic models is smooth and comfortable.
- Allows integration into statistical process control and measurement systems for models with measurement data output connector. Refer to page A-3.
- Battery: SR44 (1 pc, **938882**. For initial operational checks (standard accessory)
- Battery life: Approx. 5 years under normal use (for Digimatic models)
- Optional longer extension bases are available. (Refer to page D-66.)



SPECIFICATIONS

Metric				
Order No.	Range (mm): L1 (L2 and L3)	Resolution/Graduation (mm)	Accuracy (mm)*1	Base (W×T) (mm)
Digimatic (LCD)				
571-254-20 *2	10.1 - 160 (0 - 150)	0.01	±0.03	100×6
571-255-20 *2	10.1 - 210 (0 - 200)		±0.02	
571-301-20 *2	0 - 150			
571-302-20 *2	0 - 200			
Analog				
527-401	10 - 150 (0 - 150)	0.05	±0.05	100×6.5
527-402	10 - 200 (0 - 200)		±0.08	
527-403	10 - 300 (0 - 300)			
527-411	10 - 150 (0 - 150)	0.02	±0.03	
527-412	10 - 200 (0 - 200)		±0.04	
527-413	10 - 300 (0 - 300)			

Inch / Metric				
Order No.	Range: L1 (L2 and L3)	Resolution	Accuracy*1	Base (W×T) (mm)
Digimatic (LCD)				
571-264-20 *2	0.4 in - 6.4 in (0 - 6 in)	0.0005 in/0.01 mm	±0.0015 in/±0.03 mm	100×6
571-265-20 *2	0.4 in - 8.4 in (0 - 8 in)			
571-311-20 *2	0-150 mm/0-6 in	0.0005 in/0.01 mm	±0.001 in/±0.02 mm	
571-312-20 *2	0-200 mm/0-8 in			

*1 Excluding quantizing error of ±1 count

*2 IP67 Coolant Proof model