

Inside Micrometers

For easy and accurate measurement of inside size and diameter

Inside Micrometers SERIES 141 — Interchangeable Rod Type

- Wide range of inside measurements possible by combining one or more interchangeable rods.
- For models supplied with more than one interchangeable rod, the full measuring range is achieved by combining spacing collars with the rods.
- The sleeve is rotated to adjust the index line position when setting to a length standard.
- Optional Setting Rings (nominal size below 300 mm), CERA Inside Micro Checker and Gauge Block Accessory Sets are available as reference gages for datum adjustment (refer to page C-47, C-26, and E-17 to E-20 for details).

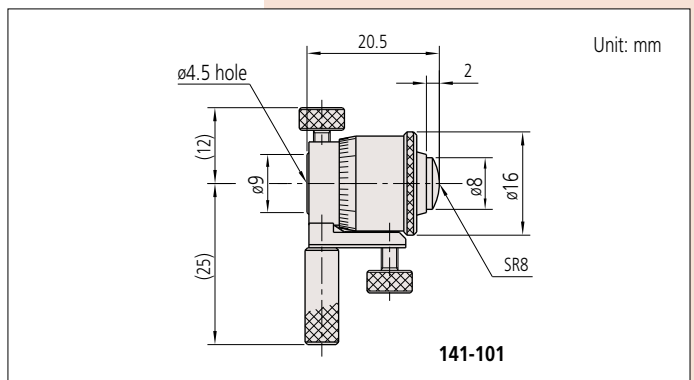


Technical Data

- Accuracy
 $\pm(6+\text{maximum measurement length}/50) \mu\text{m}$
(fraction rounded up)



DIMENSIONS



SPECIFICATIONS

Metric				
Order No.	Range (mm)	Graduation (mm)	Micrometer head stroke (mm)	Remarks
141-101 / 141-103*	25 - 50	0.01	7	with 2 rods
141-205 / 141-211*	50 - 200		13	with 3 rods
141-206 / 141-212*	50 - 300		with 5 rods	
141-117	200 - 500		with 3 rods	
141-118	200 - 1000		25	with 8 rods

* With carbide measuring face

Inch				
Order No.	Range (in)	Graduation (in)	Micrometer head stroke (in)	Remarks
141-102 / 141-104*	1 - 2	0.001	0.25	with 2 rods
141-208 / 141-214*	2 - 8		with 3 rods	
141-233 / 141-215*	2 - 12		with 5 rods	
141-121	8 - 20		with 3 rods	
141-122	8 - 40		1	with 8 rods

* With carbide measuring face

Metric			
Micrometer head only model			
Order No.	Range (mm)	Graduation (mm)	Micrometer head stroke (mm)
141-001 / 141-003*	25 - 32	0.01	7
141-025 / 141-027*	50 - 63		13
141-009 / 141-011*	200 - 225		25

* With carbide measuring face

Inch			
Micrometer head only model			
Order No.	Range (in)	Graduation (in)	Micrometer head stroke (in)
141-002 / 141-004*	1 - 1.25	0.001	0.25
141-026 / 141-028*	2 - 2.5		0.5
141-010 / 141-012*	8 - 9		1

* With carbide measuring face



An inspection certificate is supplied as standard. Refer to page U-11 for details.

Application



Optional Accessories

- Wooden box
For 515-585: 602160
For 515-586: 602163

CERA Inside Micro Checker SERIES 515

- The Inside Micro Checker is designed to act as a setting standard for inside micrometers.
- Applicable for Series **133**, **139** and **145** (over 50). Not applicable for Series **137**, **141**, **337** and **339**.



515-585



- Standard accessory set
- Support clamps **940286*** Pair
 - Auxiliary block 10 mm **602195** 2 pcs.
 - Collar **602195** 2 pcs.
 - Clamp screwdriver **600324** 1 pc.
- * Order No. is equivalent to a pair (2 pcs.)

SPECIFICATIONS

Order No.	Length to check (mm)	Block pitch accuracy
515-585	25 - 300	$\pm(1+L/150) \mu\text{m}$ L: Length to check (mm)
515-586	25 - 600	

Note: Please note that the bottom surface and the contact faces are not precisely perpendicular to each other.

DIMENSIONS

