

Dial Indicator Applications

Comparison measuring instruments which ensure high quality, high accuracy and reliability.

Dial Snap Gage



201-101

Note: The dial indicator and protection cover are optional.

SPECIFICATIONS

Metric

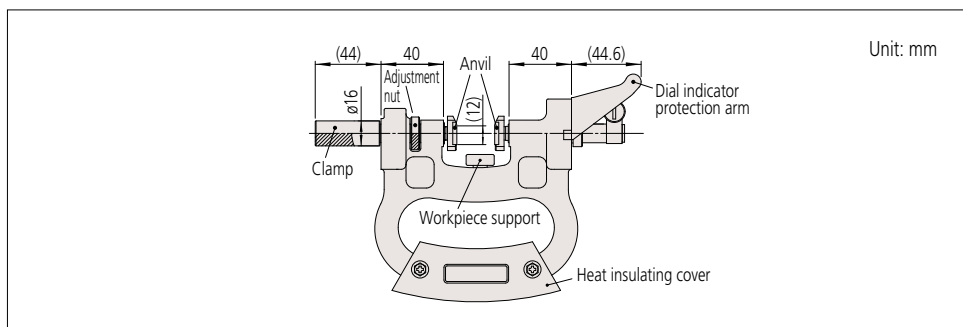
| Order No. | Range (mm) | Parallelism (μm) | Measuring force* (N) | Recommended dial indicator (optional) |
|-----------|------------|------------------|----------------------|--|
| 201-101 | 0 - 25 | 5 | 15±3 | 2046SB (0.01 mm reading), 2109SB-10 (0.001 mm reading) |
| 201-102 | 25 - 50 | 5 | 15±3 | 2046SB (0.01 mm reading), 2109SB-10 (0.001 mm reading) |
| 201-103 | 50 - 75 | 5 | 15±3 | 2046SB (0.01 mm reading), 2109SB-10 (0.001 mm reading) |
| 201-104 | 75 - 100 | 5 | 15±3 | 2046SB (0.01 mm reading), 2109SB-10 (0.001 mm reading) |
| 201-105 | 100 - 125 | 5 | 15±3 | 2046SB (0.01 mm reading), 2109SB-10 (0.001 mm reading) |
| 201-106 | 125 - 150 | 5 | 15±3 | 2046SB (0.01 mm reading), 2109SB-10 (0.001 mm reading) |
| 201-107 | 150 - 175 | 5 | 15±3 | 2046SB (0.01 mm reading), 2109SB-10 (0.001 mm reading) |
| 201-108 | 175 - 200 | 5 | 15±3 | 2046SB (0.01 mm reading), 2109SB-10 (0.001 mm reading) |
| 201-109 | 200 - 225 | 5 | 15±3 | 2046SB (0.01 mm reading), 2109SB-10 (0.001 mm reading) |
| 201-110 | 225 - 250 | 5 | 15±3 | 2046SB (0.01 mm reading), 2109SB-10 (0.001 mm reading) |
| 201-111 | 250 - 275 | 5 | 15±3 | 2046SB (0.01 mm reading), 2109SB-10 (0.001 mm reading) |
| 201-112 | 275 - 300 | 5 | 15±3 | 2046SB (0.01 mm reading), 2109SB-10 (0.001 mm reading) |

Inch

| Order No. | Range (in) | Parallelism (in) | Measuring force* (N) | Recommended dial indicator (optional) |
|-----------|------------|------------------|----------------------|---------------------------------------|
| 201-151 | 0 - 1 | 0.0002 | 15±3 | 2803SB-10 (0.0001 inch reading) |
| 201-152 | 1 - 2 | 0.0002 | 15±3 | 2803SB-10 (0.0001 inch reading) |
| 201-153 | 2 - 3 | 0.0002 | 15±3 | 2803SB-10 (0.0001 inch reading) |
| 201-154 | 3 - 4 | 0.0002 | 15±3 | 2803SB-10 (0.0001 inch reading) |
| 201-155 | 4 - 5 | 0.0002 | 15±3 | 2803SB-10 (0.0001 inch reading) |
| 201-156 | 5 - 6 | 0.0002 | 15±3 | 2803SB-10 (0.0001 inch reading) |
| 201-157 | 6 - 7 | 0.0002 | 15±3 | 2803SB-10 (0.0001 inch reading) |
| 201-158 | 7 - 8 | 0.0002 | 15±3 | 2803SB-10 (0.0001 inch reading) |
| 201-159 | 8 - 9 | 0.0002 | 15±3 | 2803SB-10 (0.0001 inch reading) |
| 201-160 | 9 - 10 | 0.0002 | 15±3 | 2803SB-10 (0.0001 inch reading) |
| 201-161 | 10 - 11 | 0.0002 | 15±3 | 2803SB-10 (0.0001 inch reading) |
| 201-162 | 11 - 12 | 0.0002 | 15±3 | 2803SB-10 (0.0001 inch reading) |

* Measuring force is that force present before an indicator is installed and is determined at the point where the spindle is retracted 1 mm from the rest position.

DIMENSIONS



Unit: mm

Optional accessories

Dial protection cover: 21DZA000

Recommended dial indicators

2046SB: Dial indicator (Graduation: 0.01 mm)

2109SB-10: Dial indicator (Graduation: 0.001 mm)

Stands

Comparison measuring instruments which ensure high quality, high accuracy and reliability.

SERIES 7 — Magnetic Stands

- Mitutoyo's Magnetic Stands clamp to iron or steel surfaces with a strong magnetic force that is switchable ON or OFF to allow easy mounting and dismounting.
- The swivel holder supplied with each stand accepts two or three of the standard stem sizes (see specifications on next page for details).
- In addition, models **7014-10**, **7014E-10**, **7031B**, **7032B** and **7033B** have a dovetail groove in the swivel holder for attaching dial test indicators that are equipped with a dovetail.



7010-10



7011-10



7012-10



7014-10
(magnetic clamping is non-switchable)



7033B



7031B



7032B