

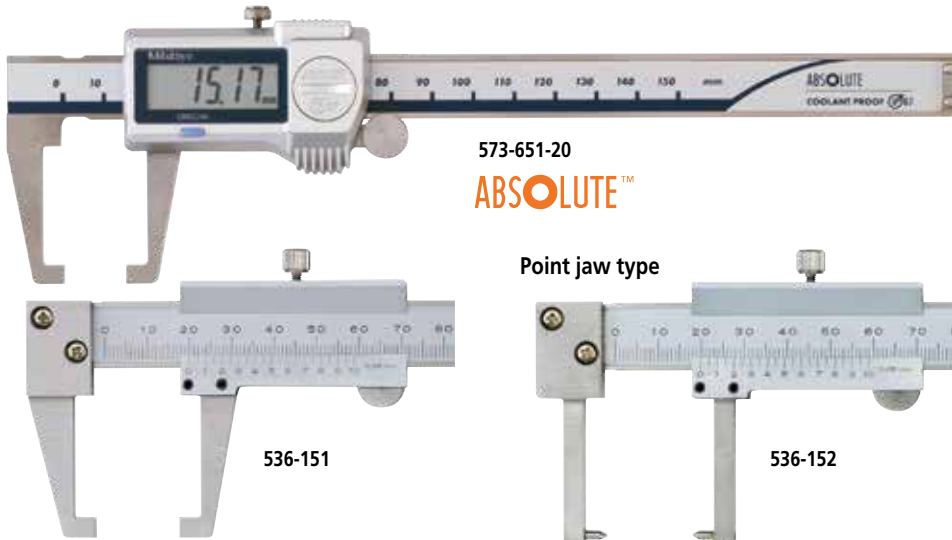
Calipers

An industry standard measuring tool

Neck Caliper SERIES 573, 536 — ABSOLUTE Digimatic and vernier types

MeasurLink[®] ENABLED
Data Management Software by Mitutoyo

- Can measure wall thickness inside bores and recesses.
- Digimatic models are an IP67 Absolute type. No need to reset the origin after switching on. (Refer to page D-8 for a description of Absolute measurement.)
- Allows integration into statistical process control and measurement systems for models with measurement data output connector. Refer to page A-3.



SPECIFICATIONS

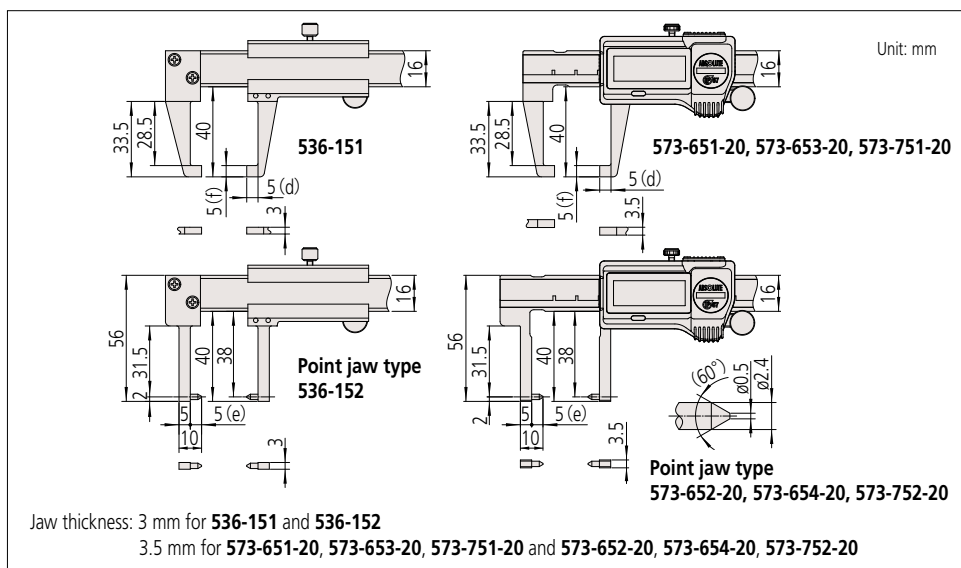
Metric	Digimatic model	
Order No.	Range (mm)	Accuracy (mm)
573-651-20	0 - 150	±0.03
573-652-20* ¹	0 - 150	±0.03
573-653-20* ²	0 - 150	±0.03
573-654-20* ¹⁺²	0 - 150	±0.03

*1 Point type
*2 Without thumb roller

Metric	Analog model	
Order No.	Range (mm)	Accuracy (mm)
536-151	0 - 150	±0.05
536-152*	0 - 150	±0.05

* Point type

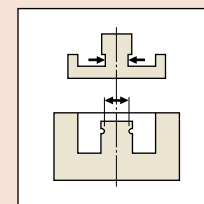
DIMENSIONS



MeasurLink[®] ENABLED
Data Management Software by Mitutoyo

Products equipped with the measurement data output function can be connected to the measurement data network system MeasurLink (refer to page A-5 for details).

IP67



Technical Data

- Accuracy: Refer to the list of specifications. (excluding quantizing error for Digimatic models)
- Resolution*¹: 0.01 mm or 0.0005 in/0.01 mm
- Graduation*²: 0.05 mm
- Display*¹: LCD
- Scale type*¹: ABSOLUTE electromagnetic induction linear encoder
- Max. response speed*¹: Unlimited
- Battery: SR44 (1 pc), **938882**, for initial operational checks (standard accessory)
- Battery life*¹: Approx. 5 years under normal use
- Dust/Water protection level*¹: IP67 (IEC 60529)*³
 - *1 Digimatic models
 - *2 Analog models
 - *3 Rustproofing shall be applied after use if caliper was in contact with coolant.

Optional Accessories for Digimatic Models

For details, refer to page D-38.

- Connecting cables for **IT/DP/MUX**
 - 05CZA624**: SPC cable with data button (1 m)
 - 05CZA625**: SPC cable with data button (2 m)
- USB Input Tool Direct
- **06AFM380A**: SPC cable for **USB-ITN-A** (2 m)
- Connecting cables for **U-WAVE-T**
 - 02AZD790A**: SPC cable with data button (160 mm)
 - 02AZE140A**: SPC cable for foot switch

Wireless Data Output **U-WAVE**™

- **U-WAVE-TC**: **264-620** (IP67 type)
264-621 (Buzzer type)
- Connecting unit for **U-WAVE-TC**:
02AZF310 (IP67 type)
Note: IP67 model is water/dust-proofed suitable for the factory floor.
Buzzer type is not water/dust-proofed.
Refer to page A-15 for details.