

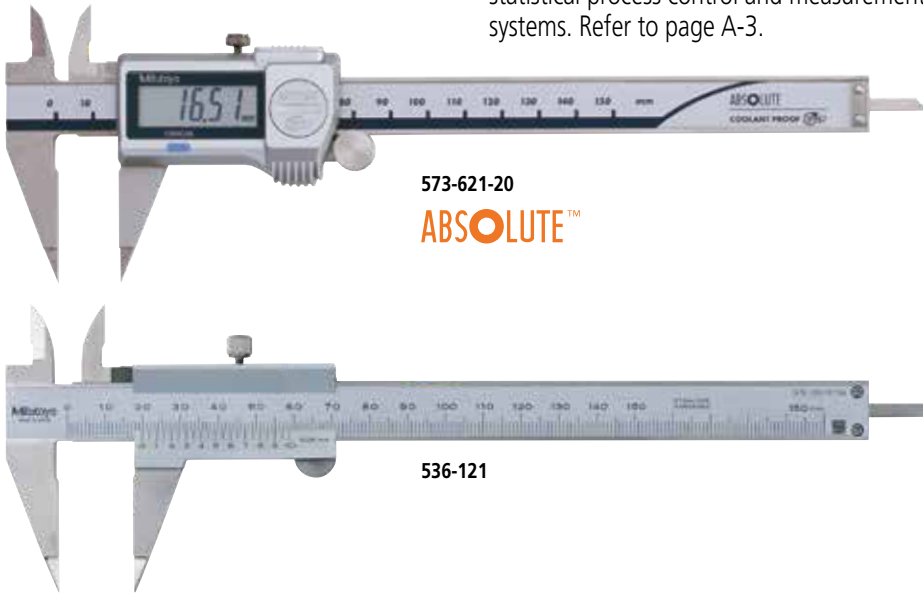
Calipers

An industry standard measuring tool

Point Caliper SERIES 573, 536 — ABSOLUTE Digimatic and vernier types

MeasurLink® ENABLED
Data Management Software by Mitutoyo

- Narrow-tip jaws fit into very small grooves and tracks, making many previously difficult outside measurements far easier to obtain.
- Allows step measurement.
- Digimatic models are IP67 Absolute type. No need to reset the origin after switching on. (Refer to page D-8 for a description of Absolute measurement.)
- SPC output models allow integration into statistical process control and measurement systems. Refer to page A-3.



573-621-20
ABSOLUTE™

536-121

SPECIFICATIONS

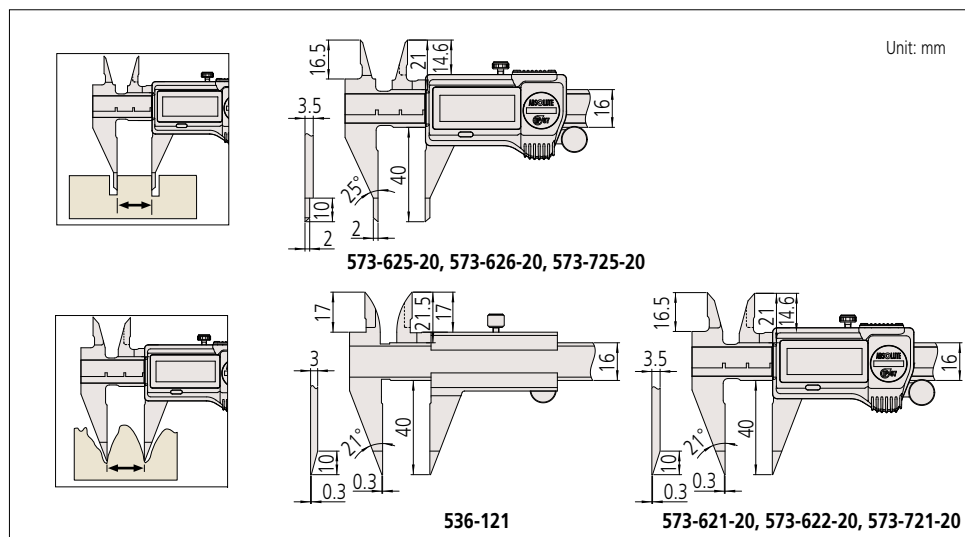
Metric	Digimatic model	
Order No.	Range (mm)	Accuracy (mm)
573-621-20	0 - 150	±0.02
573-625-20	0 - 150	±0.02
573-622-20*	0 - 150	±0.02
573-626-20*	0 - 150	±0.02

* Without thumb roller

Metric	Analog model	
Order No.	Range (mm)	Accuracy (mm)
536-121	0 - 150	±0.05

Inch / Metric	Digimatic model	
Order No.	Range (in)	Accuracy (in)
573-721-20	0 - 6	±0.001
573-725-20	0 - 6	±0.001

DIMENSIONS



MeasurLink ENABLED
Data Management Software by Mitutoyo

Products equipped with the measurement data output function can be connected to the measurement data network system MeasurLink (refer to page A-5 for details).



Technical Data

- Accuracy: Refer to the list of specifications. (excluding quantizing error for Digimatic models)
- Resolution*1: 0.01 mm or 0.0005 in/0.01 mm
- Graduation*2: 0.05 mm
- Display*1: LCD
- Scale type*1: ABSOLUTE electromagnetic induction linear encoder
- Max. response speed*1: Unlimited
- Battery: SR44 (1 pc), **938882**, for initial operational checks (standard accessory)
- Battery life*1: Approx. 5 years under normal use
- Dust/Water protection level*1: IP67 (IEC 60529)*3
- *1 Digimatic models
- *2 Analog models
- *3 Rustproofing shall be applied after use if caliper was in contact with coolant.

Optional Accessories for Digimatic Models

For details, refer to page D-38.

- Connecting cables for **IT / DP / MUX**
05CZA624: SPC cable with data button (1 m)
05CZA625: SPC cable with data button (2 m)
- USB Input Tool Direct
06AFM380A: SPC cable for **USB-ITN-A** (2 m)
- Connecting cables for **U-WAVE-T**
02AZD790A: SPC cable with data button (160 mm)
02AZE140A: SPC cable for foot switch

Wireless Data Output **U-WAVE fit**

- **U-WAVE-TC: 264-620** (IP67 type)
264-621 (Buzzer type)
 - Connecting unit for **U-WAVE-TC:**
02AZF310 (IP67 type)
- Note: IP67 model is water/dust-proofed suitable for the factory floor.
Buzzer type is not water/dust-proofed.
Refer to page A-15 for details.