

Height Gage

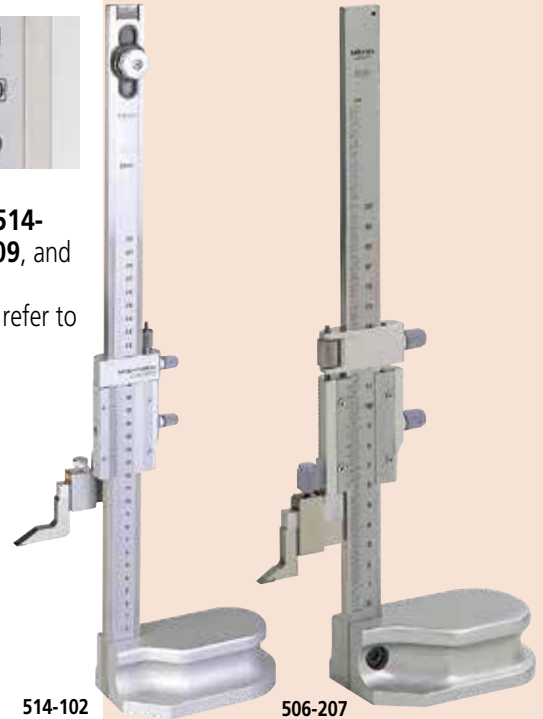
A standard measuring tool of industry

Vernier Height Gage SERIES 514, 506 — Standard Height Gage with Adjustable Main Scale

- Fits comfortably in the hand and moves easily on the surface plate.
- The main scale slides and clamps within the column for quick and convenient zero-setting.
- Large locking knobs are used both for the slider and fine adjustment clamps to make clamping easy and secure.
- Operability of slider has been improved.
- Large main-scale engraving for fatigue-free working.



- Carbide-tipped scriber (**07GZA000** for **514-102/104/106/103/105/107, 905200** for **514-108** and **109**, and **900390** for **514-170**) is provided as a standard accessory. (Scriber clamp **05GZA033** for **514-102/104/106/108/103/105/107/109**, and **905008** for **514-170**)
- For precision Black Granite Surface Plates, refer to page E-46.



SPECIFICATIONS

Metric								
Order No.	Range (mm)	Minimum reading (mm)	Accuracy (mm)	Scale adjustment (mm)	Fine feed (mm)	Height (mm)	Mass (kg)	Remarks
506-207	0 - 200	0.02	±0.03	—	4	341	1.4	—
514-102	0 - 300		±0.04	15		525	3.1	—
514-104	0 - 450		±0.05		675	3.4	—	
514-106	0 - 600		±0.07	870	7.4	—		
514-108	0 - 1000	0.05	±0.07	25	6	1340	20	—
514-170	0 - 1500		±0.18		20	1760	26	with magnifier

Inch/Metric								
Order No.	Range (in)	Minimum reading	Accuracy (in)	Scale adjustment (in)	Fine feed (in)	Height (mm)	Mass (kg)	Remarks
506-208	0 - 8	0.001 in/0.02 mm	±0.001	—	0.16	341	1.4	—
514-103	0 - 12		±0.002	0.6		525	3.1	—
514-105	0 - 18		±0.002		675	3.4	—	
514-107	0 - 24		±0.003	870	7.4	—		
514-109	0 - 40		±0.003	1	0.24	1340	20.0	—

DIMENSIONS

