

Micrometer

The origin of Mitutoyo's trustworthy brand of small tool instruments

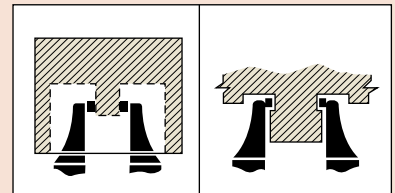
MeasurLink ENABLED
Data Management Software by Mitutoyo

Products equipped with the measurement data output function can be connected to the measurement data network system MeasurLink (refer to page A-5 for details).

Caliper Type Micrometers SERIES 343, 143

MeasurLink ENABLED
Data Management Software by Mitutoyo

- Effective for measuring workpiece features where access is difficult.
- Measuring faces: Carbide.
- Equipped with Ratchet Stop for constant measuring force.



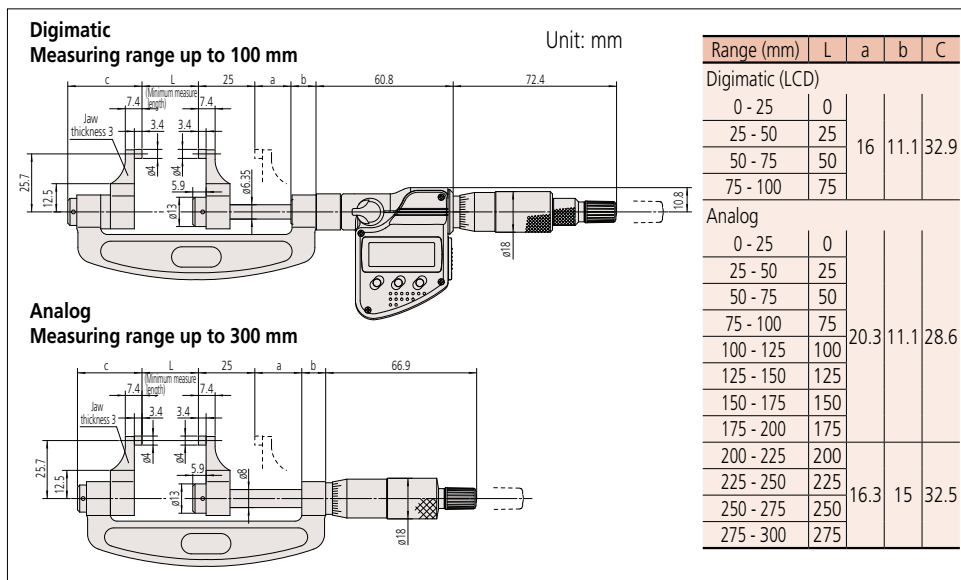
SPECIFICATIONS

Metric					
Order No.	Range (mm)	Resolution (mm)	Maximum permissible error J_{MPE} (μm)	Flatness (μm)	Parallelism (μm)
Digimatic (LCD)					
343-250-30	0 - 25	0.001	± 5	0.3	3
343-251-30	25 - 50		± 6		
343-252-30	50 - 75		± 7		
343-253-30	75 - 100		± 8		4

Metric					
Order No.	Range (mm)	Graduation (mm)	Maximum permissible error J_{MPE} (μm)	Flatness (μm)	Parallelism (μm)
Analog					
143-101	0 - 25	0.01	± 5	0.3	3
143-102	25 - 50		± 6		
143-103	50 - 75		± 7		
143-104	75 - 100		± 8		
143-105	100 - 125		± 9		
143-106	125 - 150		± 10		
143-107	150 - 175		± 11		
143-108	175 - 200		± 12		
143-109	200 - 225				
143-110	225 - 250				
143-111	250 - 275				
143-112	275 - 300				

Note: For functional details of series 343, refer to page B-8.
Please note that these models are not water-proof.

DIMENSIONS



Inch / Metric					
Order No.	Range (in)	Graduation (in)	Maximum permissible error J_{MPE} (in)	Flatness (in)	Parallelism (in)
Digimatic (LCD)					
343-350-30	0 - 1	0.00005 in/ 0.001 mm	± 0.00025	0.000012	0.00012
343-351-30	1 - 2		± 0.0003		
343-352-30	2 - 3		± 0.00035		
343-353-30	3 - 4		± 0.0004		0.00016

Inch					
Order No.	Range (in)	Graduation (in)	Maximum permissible error J_{MPE} (in)	Flatness (in)	Parallelism (in)
Analog					
143-121	0 - 1	0.001 in	± 0.00025	0.000012	0.00012
143-122	1 - 2		± 0.0003		
143-123	2 - 3		± 0.00035		

Technical Data

- Battery for series 343
SR44 (1 pc.), 938882, for initial operational checks (standard accessory)
- Battery life: Approx. 2.4 years under normal use (for series 343)
- Length standard: Electromagnetic rotary sensor (for series 343)
- Standard accessories: Reference bar, 1 pc.
(except for measuring range 0 to 25 mm (0 to 1 in) models)
Spanner (301336), 1 pc.

Optional Accessories for Series 343

- Connecting cables
1 m: 05CZA662
2 m: 05CZA663
- USB Input Tool Direct
USB-ITN-B (2 m): 06AFM380B
- U-WAVE-T dedicated connection cable
160 mm: 02AZD790B
For foot switch: 02AZE140B
Refer to page A-27 for details.

Wireless Data Output U-WAVE fit

- U-WAVE-TM 264-622 (IP67 type)
264-623 (Buzzer type)
- U-WAVE-TMB Transmitter
Mitutoyo Bluetooth® U-WAVE
264-626 (IP type)
264-627 (Buzzer type)
Refer to page A-16 for details.
- Connecting unit for U-WAVE-TM/TMB
02AZF310 (IP67/buzzer type common specification)
Refer to pages A-16 and A-18 for details.