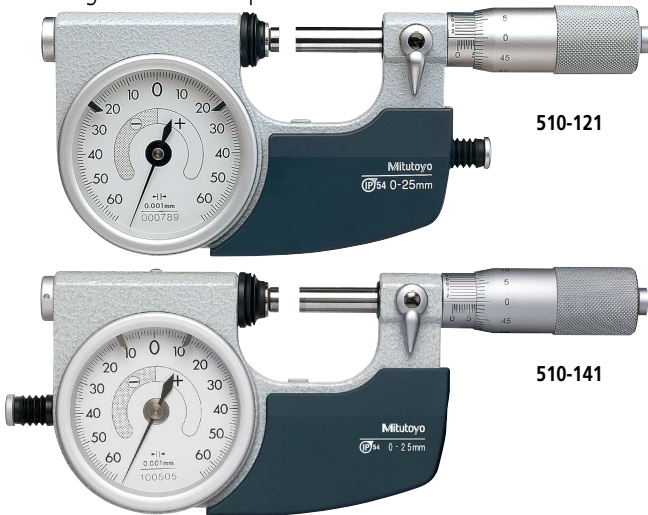


# Micrometer

The origin of Mitutoyo's trustworthy brand of small tool instruments

## Indicating Micrometers SERIES 510

- Suited to the measurement of low-volume manufactured parts.
- Easy to use when operating one-handed due to retractable anvil.
- In the 25 mm measuring range, the model lineup offers a choice of left or right positioning of the anvil-retraction button.
- Greatly improved accuracy: indication error and graduation of 1  $\mu\text{m}$ .
- IP protection level: 54, coolant-splash resistant during grinding process.
- Hard-coated crystal: enhanced oil and scratch resistance.
- Indicator scale is large and easy to read.
- All models come with the zero position adjustment feature.
- Measuring faces: Carbide.



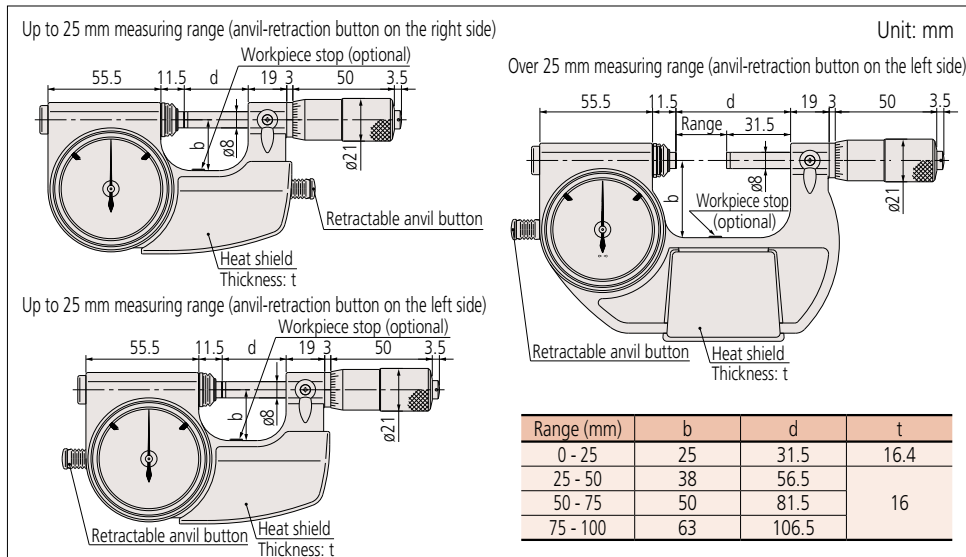
## SPECIFICATIONS

Metric							
Order No.	Range (mm)	Indicating range (mm)	Graduation (mm)	Dial graduation (mm)	Measuring force (N)	Anvil retraction button	Mass (g)
510-121	0 - 25	$\pm 0.06$	0.001	0.001	5 - 10	Right side	520
510-141						Left side	530
510-122	25 - 50	$\pm 0.06$	0.001	0.001	5 - 10	Left side	670
510-123	50 - 75						820
510-124	75 - 100						970

Inch							
Order No.	Range (in)	Indicating range (in)	Graduation (in)	Dial graduation (in)	Measuring force (N)	Anvil retraction button	Mass (g)
510-131	0 - 1	$\pm 0.0023$	0.0001	0.00005	5 - 10	Right side	520
510-151						Left side	530
510-132	1 - 2	$\pm 0.0023$	0.0001	0.00005	5 - 10	Left side	670
510-133	2 - 3						820
510-134	3 - 4						970

## DIMENSIONS



## Technical Data

- Flatness: 0.3  $\mu\text{m}/0.000012$  in
- Parallelism: 0.6  $\mu\text{m}/0.000024$  in for models up to 50 mm/2 in  
1  $\mu\text{m}/0.00004$  in for models over 50 mm/2 in
- Spindle feed error: 3  $\mu\text{m}/0.00015$  in
- Dispersion of indication: 0.4  $\mu\text{m}/0.00002$  in
- Dial indication accuracy: 1  $\mu\text{m}/0.00005$  in

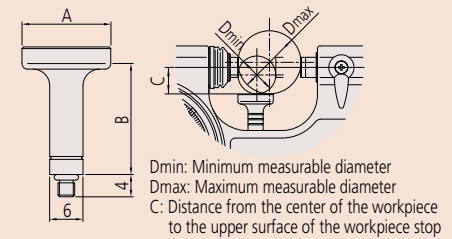
## Standard Accessories

- Reference bar, 1 pc.  
(except for measuring range 0 to 25 mm (0 to 1 in) models)
- Spanner (200154), 1 pc.

## Workpiece Stop (optional)

- Produces more stable measurement.
- Three types are available to suit workpieces of different sizes.

Range	Unit: mm	
	A	B
Workpiece stop A 04AZA124	$\phi 16$	23
Workpiece stop B 04AZA125	$\phi 14$	20.5
Workpiece stop C 04AZA126	$\phi 14$	15



- Order No 510-121, 510-141, 510-131, 510-151 Unit: mm

	Dmin	Dmax	C
Workpiece stop A	N/A	N/A	N/A
Workpiece stop B	4	16	5.0
Workpiece stop C	15	25	10.5

- 510-122 and 510-132

	Dmin	Dmax	C
Workpiece stop A	25	37	15.5
Workpiece stop B	30	42	18.0
Workpiece stop C	41	50	23.5

- 510-123 and 510-133

	Dmin	Dmax	C
Workpiece stop A	50	61	27.5
Workpiece stop B	54	66	30.0
Workpiece stop C	65	75	35.5

- 510-124 and 510-134

	Dmin	Dmax	C
Workpiece stop A	75	87	40.5
Workpiece stop B	80	92	43.0
Workpiece stop C	91	100	48.2