

# Micrometer

The origin of Mitutoyo's trustworthy brand of small tool instruments

## Tube Micrometers SERIES 395, 115, 295 — Spherical and Cylindrical Anvil Type

**MeasurLink<sup>®</sup> ENABLED**  
Data Management Software by Mitutoyo

- Spindle face: Carbide.
- **Series 395:** IP65 spherical and cylindrical anvil type digital micrometers.

- Equipped with Ratchet Stop for constant measuring force.



### SPECIFICATIONS

Metric				
Order No.	Range (mm)	Resolution (mm)	Maximum permissible error $J_{MPE}$ ( $\mu$ m)	Remarks
Digimatic (LCD)				
395-261-30	0 - 25	0.001	$\pm 3$	Type A
395-262-30				Type B
395-263-30				Type C
395-264-30				Type D

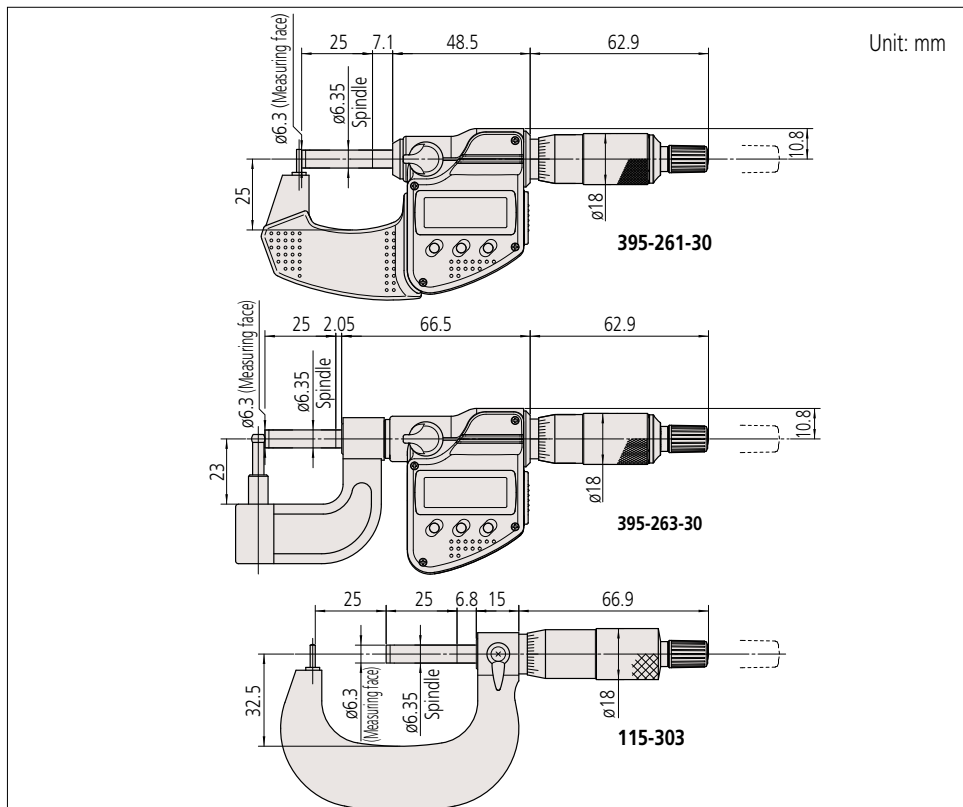
Inch / Metric				
Order No.	Range (in)	Resolution	Maximum permissible error $J_{MPE}$ (in)	Remarks
Digimatic (LCD)				
395-362-30	0 - 1	0.00005 in / 0.001 mm	$\pm 0.00015$	Type B
395-363-30				Type C
395-364-30				Type D
				Type A

Metric				
Order No.	Range (mm)	Graduation (mm)	Maximum permissible error $J_{MPE}$ ( $\mu$ m)	Remarks
Analog				
115-302	0 - 25	0.01	$\pm 3$	Type A
115-308				Type B
115-303	25 - 50	0.01	$\pm 3$	Type A
115-309				Type B
115-315	0 - 25	0.01	$\pm 3$	Type C
115-316				Type D

Inch				
Order No.	Range (in)	Graduation (in)	Maximum permissible error $J_{MPE}$ (in)	Remarks
Analog				
115-305	0 - 1	0.001	$\pm 0.00015$	Type A
115-313		0.0001		Type C
115-314		Type D		

Note: For functional details of **series 395** refer to page B-8.  
Optional connecting cable is available only for water-proof type (Digimatic model).

### DIMENSIONS



**MeasurLink<sup>®</sup> ENABLED**  
Data Management Software by Mitutoyo

Products equipped with the measurement data output function can be connected to the measurement data network system MeasurLink (refer to page A-5 for details).



These marks indicate that a product has successfully passed IP65-level testing, which is carried out by the independent German certification organization TÜV Rheinland.



### IP Codes (series 395)

- Level 6: Dust-proof.  
No ingress of dust allowed.
- Level 5: Protected against water jets.  
Water projected in jets against the enclosure from any direction shall have no harmful effects.

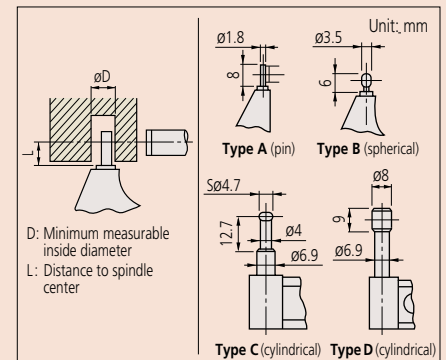
Type A (pin)

Type B (spherical)



Type C (cylindrical)

Type D (cylindrical)



Anvil	$\phi D$	L
Type A	$\phi 2.0$	4
Type B	$\phi 3.6$	4
Type C	$\phi 4.8$	12
Type D	$\phi 8.2$	22

### Technical Data

- Battery for **series 395**  
SR44 (1 pc.), **938882**, for initial operational checks (standard accessory)
- Battery life: Approx. 2.4 years under normal use (for **series 395**)
- Length standard: Electromagnetic rotary sensor (for **series 395**)
- Standard accessories: Reference bar, 1 pc. (except for measuring range 0 to 25 mm (0 to 1 in) models)  
Spanner (**301336**), 1 pc.

### Optional Accessories

- Connecting cables for **series 395**  
1 m: **05CZA662**  
2 m: **05CZA663**
- USB Input Tool Direct  
**USB-ITN-B** (2 m): **06AFM380B**
- **U-WAVE-T** dedicated connection cable  
160 mm: **02AZD790B**  
For foot switch: **02AZE140B**  
Refer to page A-27 for details.

### Wireless Data Output **U-WAVE**

- **U-WAVE-TM 264-622** (IP67 type)  
**264-623** (Buzzer type)
- **U-WAVE-TMB** Transmitter  
**Mitutoyo Bluetooth<sup>®</sup> U-WAVE 264-626** (IP type)  
**264-627** (Buzzer type)  
Refer to page A-16 for details.
- Connecting unit for **U-WAVE-TM/TMB**  
**02AZF310** (IP67 / buzzer type common specification)  
Refer to pages A-16 and A-18 for details.