

# Cobra 500

## Mid-size SCARA robot for material handling, assembly, precision machining and adhesive application

- Programmable through ACE software and eV+ language, or through the familiar IEC 61131-3 when using ePLC Connect.
- Good repeatability for precision assembly
- High Payload for using tools for screw-driving and adhesive application
- Minimum footprint with separate controller
- Robot with integral power and signal cables
- Reach 500 mm
- Maximum Payload 5 kg
- Weight 29 kg



## Specifications

<b>Product name</b>		<b>Cobra</b>
	Size	500
<b>Part Number</b>		1720[ ]-15000
<b>Number of axes</b>		4
<b>Mounting</b>		table/floor
<b>Reach</b>		500 mm
<b>Maximum Payload</b>		5 kg
<b>Repeatability</b>	XY	±0.02 mm
	Z	±0.01 mm
	Theta	±0.005°
<b>Joint Range</b>	Joint 1	±125°
	Joint 2	±145°
	Joint 3	200 mm
	Joint 4	±360°
<b>Inertia Moment (Max.)</b>	Joint 4	450 kg·cm <sup>2</sup>
<b>Joint Speeds</b>	Joint 1	450°/s
	Joint 2	720°/s
	Joint 3	1120 mm/s
	Joint 4	1940°/s
<b>Cycle times, *1 with 2.0 kg Payload</b>	Burst	0.51 s
	Sustained	0.60 s
<b>Power Requirements</b>		24 VDC: 6 A 200 to 240 VAC: 10 A, single-phase
<b>Protection</b>		IP20
<b>Clean Class</b>		---
<b>Environment Requirements</b>	Ambient Temperature	5 to 40°C
	Humidity Range	35 to 90% (non-condensing)
<b>Weight</b>		29 kg
<b>Basic configuration</b>	Controller	eMotionBlox-40
	On-board I/O (Input/Output)	12/8
	Conveyor tracking input	2
	RS-232C serial communications port	1
	Programming environment	ACE, PackXpert, ePLC
	ACE Sight	Yes
	ePLC Connect	Yes
ePLC I/O	Yes	
<b>Connectable controller *2</b>		eMotionBlox-40M, SmartController EX, NJ/NX/NY Series

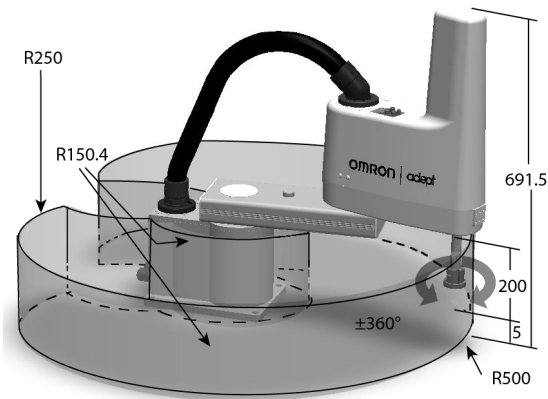
\*1. Adept cycle, in mm 25/305/25 (seconds, at 20°C ambient)

\*2. Choose a controller to suit your application.

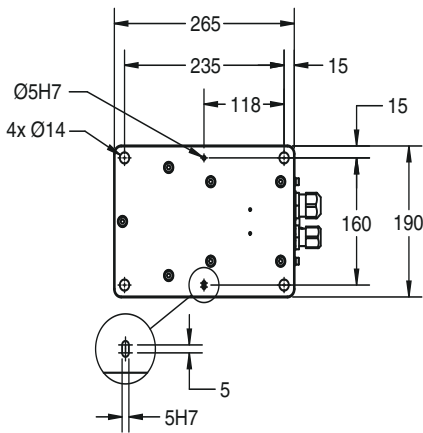
# Dimensions

(Unit: mm)

## Cobra 500



## Footprint

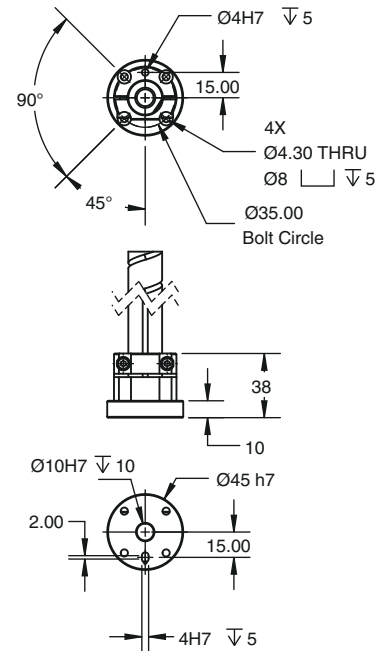


## eMotionBlox-40M

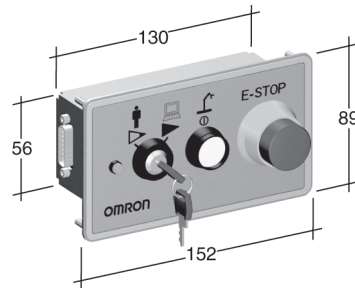


Weight : 9.3 kg

## Flange



## Front panel (option)



# Robot Parts Code and Bundled Accessories

Type	Cobra 500	Cobra 500 Add-On
<b>Cobra 500</b>	17201-15000	17203-15000
<b>Overview</b>	Robot + Integral Power and Signal Cables + eMotionBlox-40M amplifier with fully-integrated controls	Robot + Integral Power and Signal Cables + eMotionBlox-40M amplifier + required connection cables
<b>Purpose</b>	Typical for use in single-robot system	Typically added to systems with an existing SmartController EX to create multi-robot systems
<b>Bundled Cable/Accessories</b>	<ul style="list-style-type: none"> <li>XSYSTEM cable with jumpers, 1.8 m/6 ft (13323-000)</li> </ul>	<ul style="list-style-type: none"> <li>XSYSTEM cable with jumpers, 1.8 m/6 ft (13323-000)</li> <li>XSYS cable, 4.5 m/15 ft (11585-000)</li> <li>DB9 splitter (00411-000)</li> <li>1394 latch cable, 4.5 m/15 ft (13632-045)</li> <li>eV+ license to connect to controller (14529-103)</li> </ul>