

Hornet 565

Parallel robot ideal for use in the food and beverage, pharmaceutical, and healthcare industries



- Programmable through ACE software and eV+ language, or through the familiar IEC 61131-3 when using ePLC Connect
- The amplifier and controller built into the robot reduces the number of cables
- Tracks up to a conveyor speed of 1.4 m/s
- Designed with a high payload to support multi-hand (multi-picking)
- Supports fast Pick & Place on a fast conveyor
- Helps reduce mounting cost and robot vibration
- Maximum working diameter 1,130 mm
- Working height 425 mm
- Maximum payload 8 kg
- Weight 52 kg

Specifications

| Product name | | Hornet | | | |
|-----------------------------------------|------------------------------------|---------------------------------------------------|---------------|---------------|---------------|
| Size | | 565 | | | |
| Number of axes | | 3 Axis | | 4 Axis | |
| IP | | Standard | IP65/67 | Standard | IP65/67 |
| Part Number | | 1720[]-45600 | 1720[]-45610 | 1720[]-45604 | 1720[]-45614 |
| Mounting | | inverted | | | |
| Working volume | X,Y axis (stroke) | 1130 mm | | | |
| | Z axis (stroke) | 425 mm | | | |
| | theta axis (rotation angle) | - | | ±360° | |
| Maximum Payload | | 8 kg | | 3 kg | |
| Repeatability | | ±0.10 mm | | | |
| Cycle times, sustained, 20°C ambient *1 | Payload 0.1 kg | 0.32 s | | 0.35 s | |
| | Payload 1.0 kg | 0.34 s | | 0.37 s | |
| | Payload 3.0 kg | 0.38 s | | 0.42 s | |
| Power Requirements | | 24 VDC: 6 A 200 to 240 VAC: 10 A, single-phase | | | |
| Protection | Base | IP20 | IP65 | IP20 | IP65 |
| | Topside of robot | IP65 | | | |
| | Underside of robot | IP65 | | | |
| Platform, Arms | | IP67 | | | |
| Environment Requirements | Ambient Temperature | 1 to 40°C | | | |
| | Humidity Range | 5 to 90% (non-condensing) | | | |
| Weight | | 52 kg | | | |
| Basic configuration | Controller | eAIB | | | |
| | On-board I/O (Input/Output) | 12/8 | | | |
| | Conveyor tracking input | 2 | | | |
| | RS-232C serial communications port | 1 | | | |
| | Programming environment | ACE, ePLC | | | |
| | ACE Sight | Yes | | | |
| | ePLC Connect | Yes | | | |
| ePLC I/O | Yes | | | | |
| Connectable controller *2 | | SmartController EX, NJ/NX/NY Series *3 | | | |

*1. Adept cycle, in mm (25/305/25)

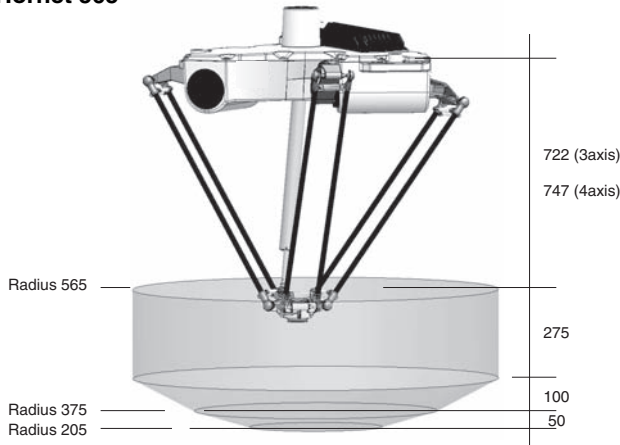
*2. Choose a controller to suit your application.

*3. The robot version 2.3.C or later is required to connect with the NJ/NX/NY Series.

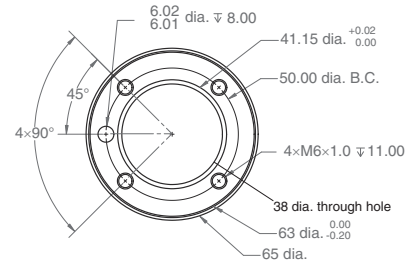
Dimensions

(Unit: mm)

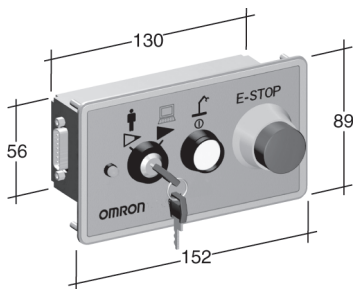
Hornet 565



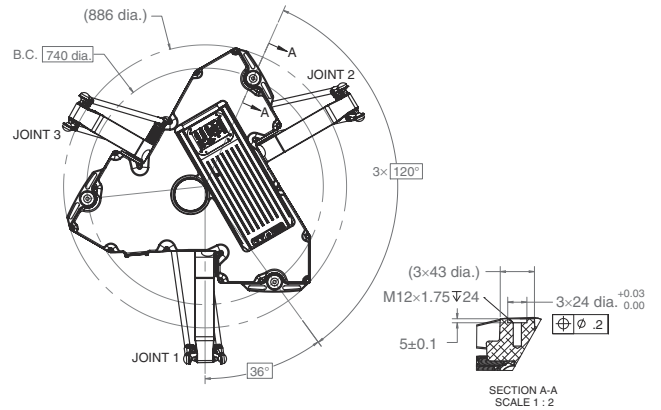
Flange



Front panel



Footprint



Robot Parts Code and Bundled Accessories

| Type | Hornet | | Hornet Add-On | |
|----------------------------|---------------------------------------------------------------------------------------------------------------------------------------------|---------------------------------------------------------------------------------------------------------------------------------------------------------------------------------|--------------------------------------------------------------------------------------------------------------------------------------------------------------------------------------------------------------------------------------------------------------------------------------------------|--------------------------------------------------------------------------------------------------------------------------------------------------------------------------------------------------------------------------------------------------------------------------------------------------------------------------------------|
| | Standard | IP65/67 | Standard | IP65/67 |
| Hornet 565 3 Axis | 17201-45600 | 17201-45610 | 17203-45600 | 17203-45610 |
| Hornet 565 4 Axis | 17201-45604 | 17201-45614 | 17203-45604 | 17203-45614 |
| Overview | Robot + eAIB with fully integrated controller | | Robot + eAIB required connection cables | |
| Purpose | Typical for use in single robot system | | Typically added to systems with an existing SmartController EX to create multi-robot systems | |
| Bundled Accessories | <ul style="list-style-type: none"> XSYSTEM cable with jumpers, 1.8 m/6 ft (13323-000) Front panel kit (90356-10358) | <ul style="list-style-type: none"> XSYSTEM cable with jumpers, 1.8 m/6 ft (13323-000) Front panel kit (90356-10358) Cable Seal Kit (08765-000) | <ul style="list-style-type: none"> XSYSTEM cable with jumpers, 1.8 m/6 ft (13323-000) XSYS cable, 4.5 m/15 ft (11585-000) DB9 splitter (00411-000) 1394 latch cable, 4.5 m/15 ft (13632-045) eV+ license to connect to controller (14529-103) | <ul style="list-style-type: none"> XSYSTEM cable with jumpers, 1.8 m/6 ft (13323-000) XSYS cable, 4.5 m/15 ft (11585-000) DB9 splitter (00411-000) 1394 latch cable, 4.5 m/15 ft (13632-045) eV+ license to connect to controller (14529-103) Cable Seal Kit (08765-000) |