

FANUC Robot CRX-10*i*A, 10*i*A/L



FEATURES

FANUC Robot CRX-10*i*A and 10*i*A/L are lightweight collaborative robots with a smooth and approachable design.

- Two reach variants available to meet various applications.
 - CRX-10*i*A Payload 10kg Reach : 1249mm
 - CRX-10*i*A/L Payload 10kg Reach : 1418mm

Safety

- Similar to the other FANUC CR-series robots, the CRX robots stop safely upon light contact with humans.
- The robots are certified to meet the requirements of international standard ISO 10218-1.

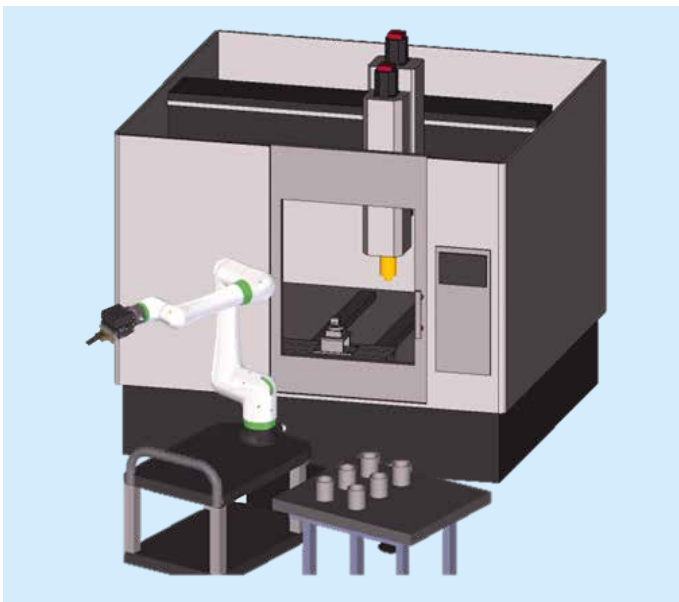
Ease of use

- The lightweight arms and compact R-30*i*B Mini Plus controller enables easy installation without any lifting equipment.
- Manual guided teaching and the new user interface on the tablet offers intuitive operation and easy teaching.
- The under flip motion on J3 makes it easy to access to the back side. (CRX-10*i*A/L)
- Easy connection to third-party grippers
- Other intelligent features such as *i*RVision (integrated vision) and *i*RPickTool are also available.

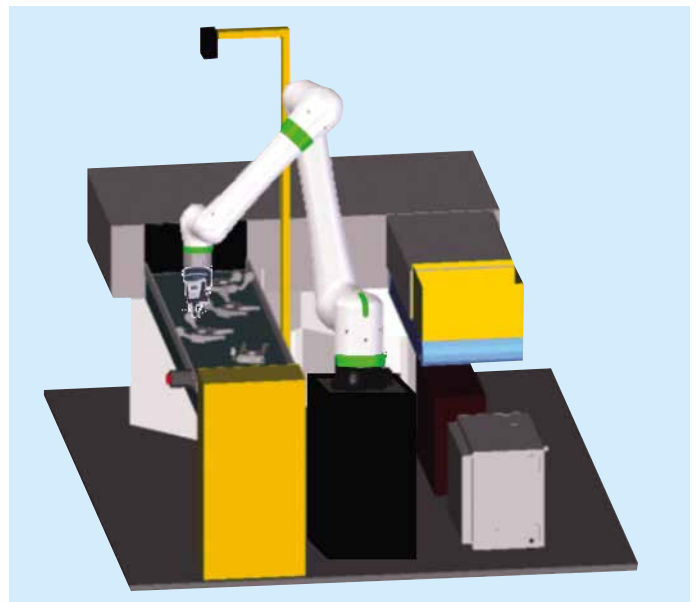
High Reliability

- Maintenance-Free supported by the renowned high reliability design from years of experience suited for industrial use

Application Examples



Load/Unload from Machine Tool

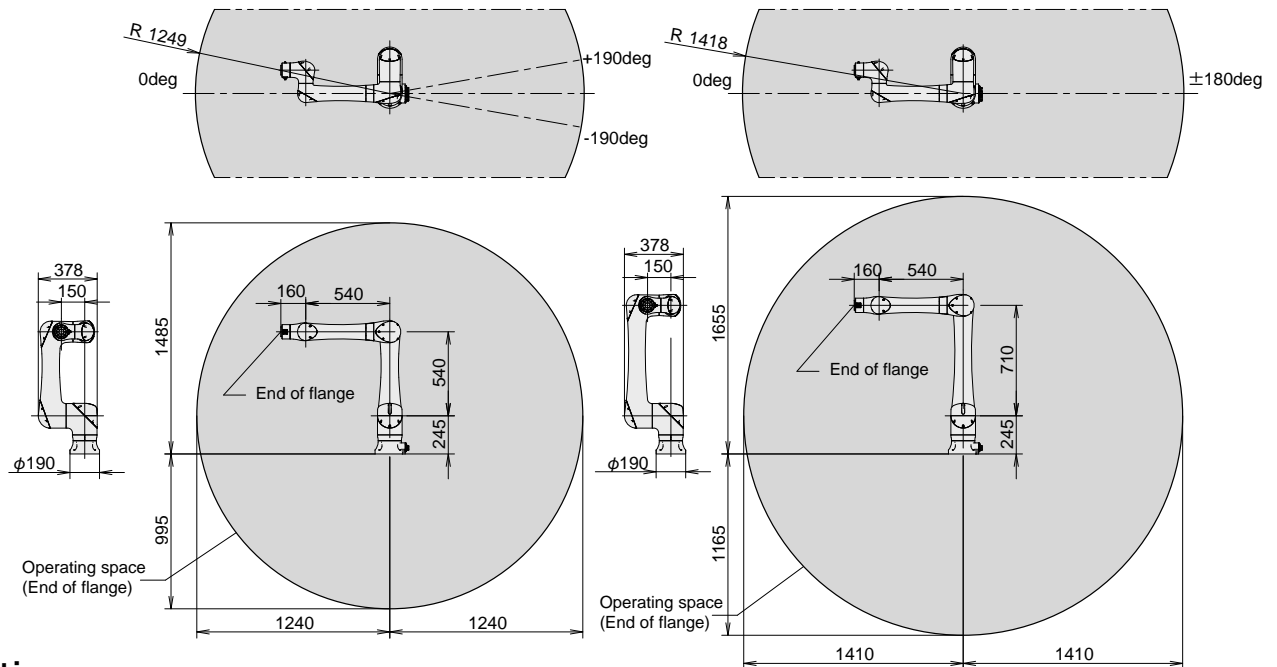


3D Visual Tracking

Operating Space

CRX-10iA

CRX-10iA/L



Specifications

Model		CRX-10iA	CRX-10iA/L
Type		6 axes (J1, J2, J3, J4, J5, J6)	
Reach		1249 mm	1418 mm
Installation (Note 1)		Floor, Upside-down, Angle mount	
Motion range (Maximum speed) (Note 2)	J1 axis	380° (120°/s) 6.63 rad (2.09 rad/s)	360° (120°/s) 6.28 rad (2.09 rad/s)
	J2 axis	360° (120°/s) 6.28 rad (2.09 rad/s)	360° (120°/s) 6.28 rad (2.09 rad/s)
	J3 axis	570° (180°/s) 9.95 rad (3.14 rad/s)	540° (180°/s) 9.42 rad (3.14 rad/s)
	J4 axis	380° (180°/s) 6.63 rad (3.14 rad/s)	380° (180°/s) 6.63 rad (3.14 rad/s)
	J5 axis	360° (180°/s) 6.28 rad (3.14 rad/s)	360° (180°/s) 6.28 rad (3.14 rad/s)
	J6 axis	450° (180°/s) 7.85 rad (3.14 rad/s)	450° (180°/s) 7.85 rad (3.14 rad/s)
Maximum speed (Note 2, 3)	Collaborative mode	1000 mm/s	
	High speed mode	2000 mm/s	
Max. load capacity at wrist		10 kg	
Allowable load moment at wrist	J4 axis	34.8 Nm	
	J5 axis	26.0 Nm	
	J6 axis	11.0 Nm	
Allowable load inertia at wrist	J4 axis	1.28 kg·m ²	
	J5 axis	0.90 kg·m ²	
	J6 axis	0.30 kg·m ²	
Repeatability (Note 4)		±0.04 mm	
Mass (Note 5)		40 kg	
Noise (Note 6)		70 dB or less	
Degree of protection		IP67	
Installation environment		Ambient temperature : 0 to 45°C Ambient humidity : Normally 75% or less (No dew nor frost allowed) : Short term 95%RH or less (within one month) Vibration acceleration : 4.9m/s ² (0.5G) or less	
Matching controller R-30iB Mini Plus	Rated Voltage	AC 100-120V, AC200-240V Single phase, 50/60Hz	
	Input power source capacity	1.5KVA	
	Mass of controller	20 kg	
	Dimensions (WxDxH)	410 × 277 × 370 mm	
Degree of protection		IP54	

- Note 1) Angle mount needs motion range restriction according to with the payload.
- Note 2) During short distance motions, the axis speed may not reach the maximum value stated.
- Note 3) It is necessary to set a motion speed according to risk assessment of system.
- Note 4) Compliant with ISO9283.
- Note 5) Without controller.
- Note 6) This value is equivalent continuous A-weighted sound pressure level that applied with ISO11201(EN31201)
This value is measured with the following conditions.
- Maximum load and speed - Operation mode is AUTO

FANUC CORPORATION

Headquarters Oshino-mura, Yamanashi 401-0597, Japan
Phone: 81-555-84-5555 Fax: 81-555-84-5512 <https://www.fanuc.co.jp>

- Overseas Affiliated Companies
- FANUC America Corporation
- FANUC Europe Corporation, S.A.
- SHANGHAI-FANUC Robotics CO., LTD.
- KOREA FANUC CORPORATION
- TAIWAN FANUC CORPORATION
- FANUC INDIA PRIVATE LIMITED
- FANUC SINGAPORE PTE. LTD.
- FANUC THAI LIMITED
- FANUC MECHATRONICS (MALAYSIA) SDN. BHD.
- PT. FANUC INDONESIA
- FANUC OCEANIA PTY. LIMITED
- FANUC SOUTH AFRICA (PROPRIETARY) LIMITED

- 3900 West Hamlin Road, Rochester Hills, MI 48309-3253, U.S.A.
- 7, rue Benedikt Zender, L-6468 Echternach, Grand-Duché de Luxembourg
- No. 1500 Fuliang Road, Baoshan Area, Shanghai, China
- 101, Wanam-ro(st), Seongsan-gu, Changwon-si, Gyeongsangnam-do, 642-290 Republic of Korea
- No.10, 16th Road, Taichung Industrial Park, Taichung, Taiwan
- 41-A, Electronics City, Bangalore, 560 100, India
- No.1 Teban Gardens Crescent, Singapore 608919, Singapore
- 1301 Pattanakarn Road, Kwaeng Suanluang, Khet Suanluang, Bangkok 10250 Thailand
- No. 22, Persiaran Astana / KU 2, Bandar Bukit Raja, 41050 Klang, Selangor Darul Ehsan, Malaysia
- JL. Boulevard Bukit Gading Raya Blok R, Jakarta 14240 Indonesia
- 10 Healey Circuit, Huntingwood, NSW 2148, Australia
- 17 Loper Ave. Aeroport Industrial Ests, Spartan Ext.2 P.O.Box 219, Isando 1600, Republic of South Africa

- Phone: 1-248-377-7000 Fax: 1-855-774-7051
- Phone: 352-727777-1 Fax: 352-727777-403
- Phone: 86-21-5032-7700 Fax: 86-21-5032-7711
- Phone: 82-55-278-1200 Fax: 82-55-284-9826
- Phone: 886-4-2359-0522 Fax: 886-4-2359-0771
- Phone: 91-80-2852-0057 Fax: 91-80-2852-0051
- Phone: 65-6567-8566 Fax: 65-6566-5937
- Phone: 66-2-714-6111 Fax: 66-2-714-6120
- Phone: 60-3-3082-1222 Fax: 60-3-3082-1555
- Phone: 62-21-4584-7285 Fax: 62-21-4584-7288
- Phone: 61-2-8822-4600 Fax: 61-2-8822-4666
- Phone: 27-11-392-3610 Fax: 27-11-392-3615

- All specifications are subject to change without notice.
- No part of this catalog may be reproduced in any form.
- The products in this catalog are controlled based on Japan's "Foreign Exchange and Foreign Trade Law". The export from Japan may be subject to an export license by the government of Japan. Further, re-export to another country may be subject to the license of the government of the country from where the product is re-exported. Furthermore, the product may also be controlled by re-export regulations of the United States government. Should you wish to export or re-export these products, please contact FANUC for advice.