

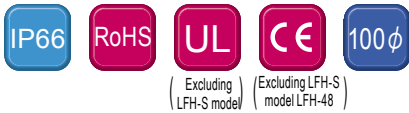
LFH



Colors	Red, Amber, Green, Blue, White
Globe	Polycarbonate resin with superb shock resistance and heat resistance.

The LFH Series features a 100mm diameter, ultra-bright, maintenance-free LEDs, and comes in multiple voltage types.

- Outdoor-rated with ultra-bright LEDs
- Triple-flash light patterns with rates of 110 and 140 flashes per minute
- Light dimming function for use in close proximities or at night
- High vibration resistance, ideal for mounting on moving vehicles
- IP66 - dust, oil, water and non-corrosive material resistance
- Available Colors: Red, Amber, Green, Blue, White/Clear
- 3-year free-servicing after purchase

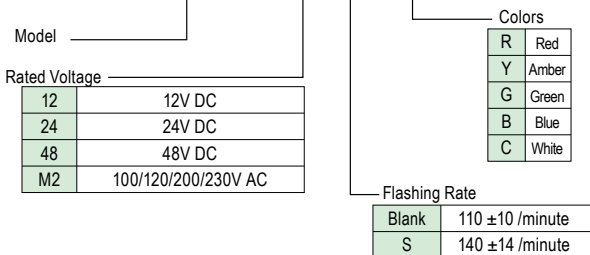


Specifications

Model	Rated Voltage	Operating Voltage Range	Power consumption (Standard) rated power Consumption (Upper: Standard Lower: Maximum)	Ambient Operating Temperature	Storage Ambient Temperature	Mounting location	Mounting direction	Protection Rating	Vibration Resistance	Flashing Rate	Mass
LFH-12	12V DC	9.5 - 15V DC	5.0W 6.0W	-30 °C - +70 °C	-40 °C - +80 °C	Indoor/ Outdoor	Forward, side, reverse directions (forward direction only in wet places)	IP66 (IEC 60529) when installed in the forward direction	90m/s2	110 ±10 /minute (triple flash)	570g
LFH-24	24V DC	20 - 30V DC	4.5W 5.5W								
LFH-48	48V DC	35 - 60V DC	6.5W 7.5W								
LFH-M2	100/120/200/ 230V AC (50/60Hz)	90 - 250V AC	5.7W 6.8W	-20 °C - +60 °C	-30 °C - +70 °C						
LFH-12S	12V DC	9.5 - 15V DC	5.0W 6.0W	-30 °C - +70 °C	-40 °C - +80 °C	Indoor/ Outdoor	Forward, side, reverse directions (forward direction only in wet places)	IP66 (IEC 60529) when installed in the forward direction	90m/s2	140±14 /minute (triple flash)	570g
LFH-24S	24V DC	20 - 30V DC	4.5W 5.5W								
LFH-48S	48V DC	35 - 60V DC	6.5W 7.5W								

Model Code

LFH-12S-R



Optional Parts

For details, see pages 182 to 187.

Optional Parts	Model
Wallmount Bracket	SZ-170
Wallmount Bracket	SZ-007

Network

Signal Tower

Signal Light

Revolving
Warning Light

Cube Tower

Audibles

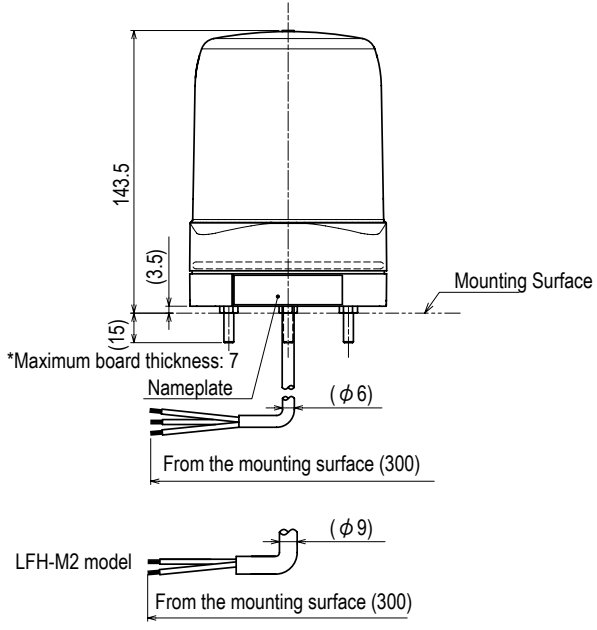
Hybrid
Signaling
Devices

LED
Illumination

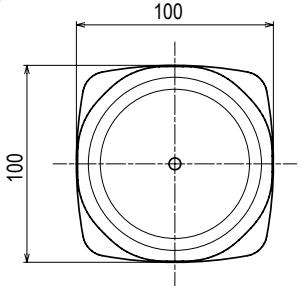
Options

Dimensions (mm)

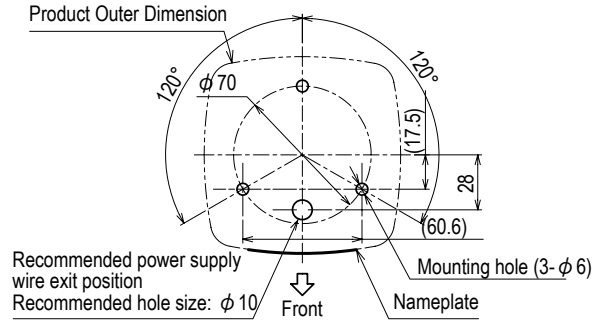
Side view



Top view

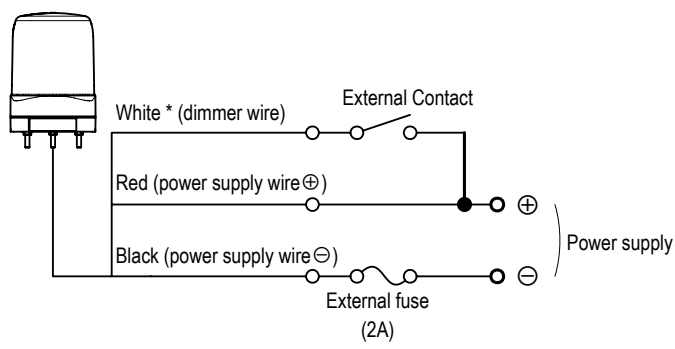


Installation Dimension Drawings

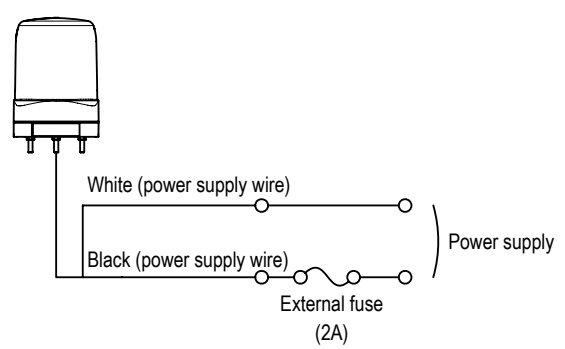


Wiring Diagram

LFH-12/24/48/12S/24S/48S model



LFH-M2 model



*Insulate the ends of the cable when the light dimmer function is not in use.

Conformity Standards

LFH-12	UL 1638, CAN/ULC-S526-M87 RoHS Directive EN 50581
LFH-24	EMC Directives (EN 55015, EN 61547) FCC Part 15 Subpart B Class A, ECE regulation No.10
LFH-48	UL 1638, CAN/ULC-S526-M87
LFH-M2	UL 1638, CAN/ULC-S526-M87 RoHS Directive EN 50581 EMC Directives (EN 61000-6-4, EN 61000-6-2) Low Voltage Directives (EN 60598-1, EN 60598-2-1, EN 62031, EN 61347-1, EN 61347-2-13, EN 62471) FCC Part 15 Subpart B Class A
LFH-12S	ECE Regulation No.10
LFH-24S	