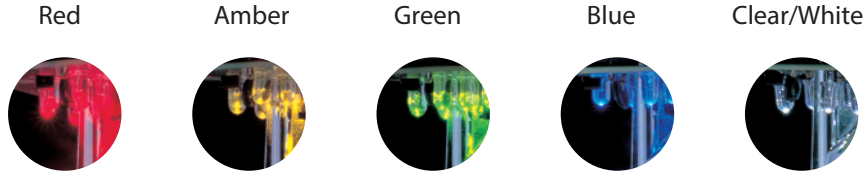




5 "Super Bright" LED Colors to choose from!



Specifications (Pre-assembled)

(No Alarm)

Light System	Model	Rated Voltage	Power Consumption	Mass
1 Tier	LGE-102	AC/DC 24V	2.0W	0.4kg
	LGE-110	AC 100V	5.2W	1.0kg
	LGE-120	AC 220V		
2 Tiers	LGE-202	AC/DC 24V	4.0W	0.6kg
	LGE-210	AC 100V	7.7W	1.2kg
	LGE-220	AC 220V		
3 Tiers	LGE-302	AC/DC 24V	6.0W	0.8kg
	LGE-310	AC 100V	10.2W	1.4kg
	LGE-320	AC 220V		
4 Tiers	LGE-402	AC/DC 24V	8.0W	0.9kg
	LGE-410	AC 100V	12.7W	1.5kg
	LGE-420	AC 220V		

Alarm Type (Intermittent Rate: ab. 60 beeps per min)

Light System	Model	Rated Voltage	Power Consumption	Mass
1 Tier	LGE-102FB	AC/DC 24V	2.5W	0.4kg
	LGE-110FB	AC 100V	5.7W	1.0kg
	LGE-120FB	AC 220V		
2 Tiers	LGE-202FB	AC/DC 24V	4.5W	0.6kg
	LGE-210FB	AC 100V	8.2W	1.2kg
	LGE-220FB	AC 220V		
3 Tiers	LGE-302FB	AC/DC 24V	6.5W	0.8kg
	LGE-310FB	AC 100V	10.7W	1.4kg
	LGE-320FB	AC 220V		
4 Tiers	LGE-402FB	AC/DC 24V	8.5W	0.9kg
	LGE-410FB	AC 100V	13.2W	1.5kg
	LGE-420FB	AC 220V		

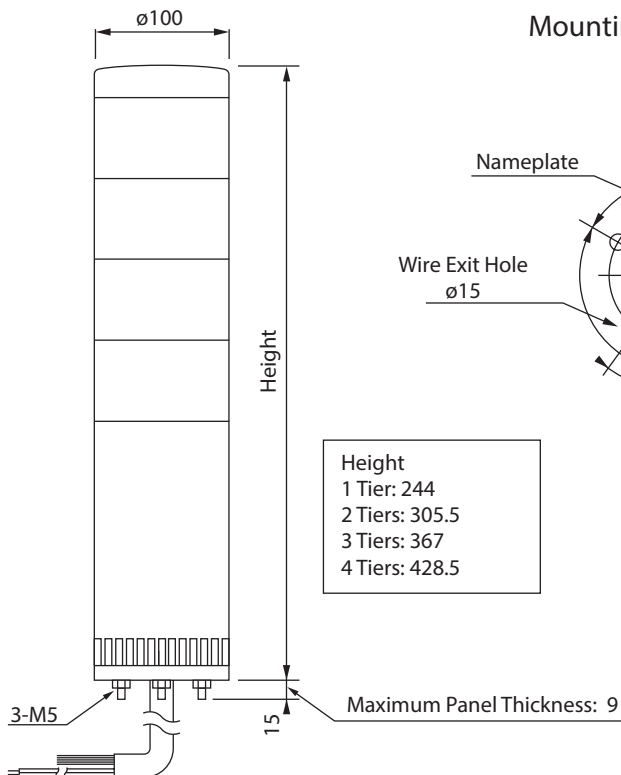
Specifications (Modules)

Light Unit	Color	Rated Voltage	Power Consumption
LGEM24-R	RED	AC/DC 24V	2.0W
LGEM24-Y	AMBER		
LGEM24-G	GREEN		
LGEM24-B	BLUE		
LGEM24-C	CLEAR		

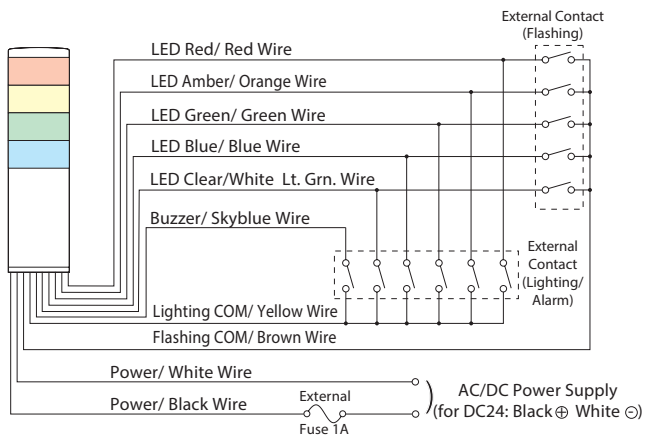
Power Unit	Rated Voltage	Operation
LGEBEC-100	AC 100V	Continuous
LGEBEC-120	AC 120V	
LGEBEC-24	AC/DC 24V	
LGEBEC-100FB	AC 100V	Continuous/ Flashing/Alarm
LGEBEC-120FB	AC 120V	
LGEBEC-24FB	AC/DC 24V	

Part No.	Light Units per Base
LGSHAFT-1	1
LGSHAFT-2	2
LGSHAFT-3	3
LGSHAFT-3	3
LGSHAFT-4	4

Dimensions (Unit: mm)



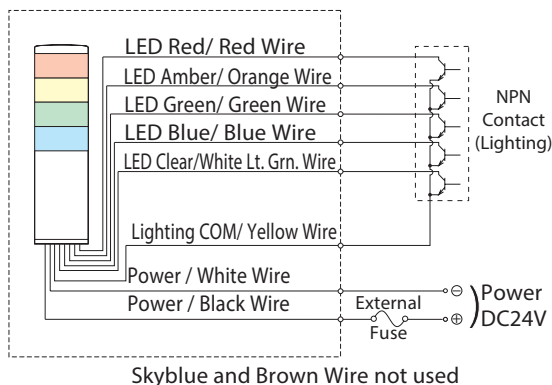
AC/DC 24V Lighting/Flashing Type



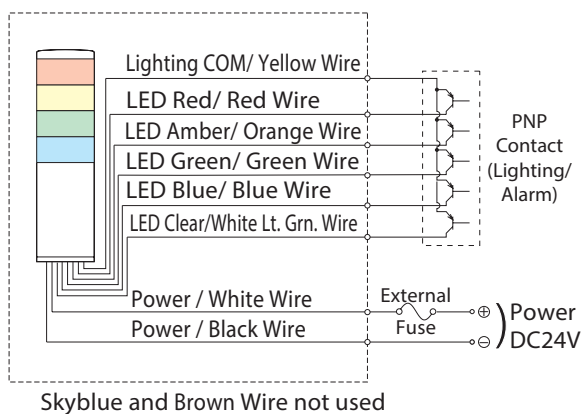
Signal Line voltage and current per LED Module

Model	Rated Voltage	Signal Line Voltage	LED		
			Signal Line Current	Signal Line Current	Inrush Current
LGE-A	AC/DC 24V	AC/DC 24V	90mA	20mA	250mA
LGE-A	AC 100	DC 24V			
LGE-A	AC 220V				

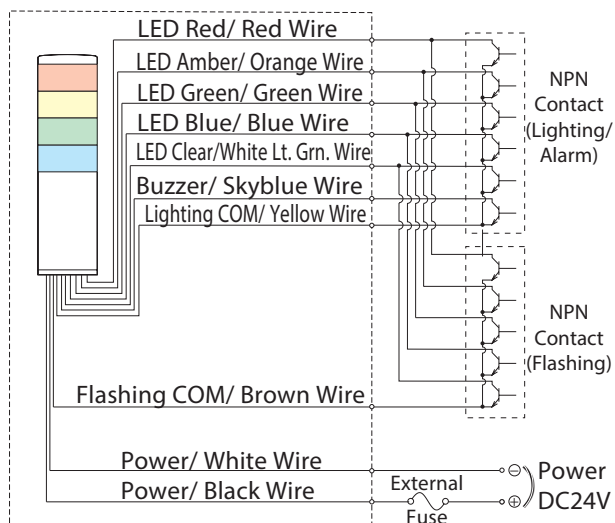
DC 24V NPN Type



DC 24V PNP Type



DC 24V NPN FB Type



DC 24V PNP FB Type

