

# RT-A/C/D/E



Sound pressure 105dB  
IP23  
162φ

Colors Red, Amber, Green, Blue  
Globe Acrylic resin with superior weather resistance and translucency.

The RT Series features a 162mm diameter rotating incandescent light, pre-loaded alarm sounds, with a 105dB horn for highly effective signaling.

- Comes pre-loaded with 32 tone and alarm sounds
- High weather resistance for outdoor use
- Up to 105dB sound output at 1m
- IP65 rating for dust and water resistance
- Easily accessible volume control
- Comes in multiple voltages
- NPN compatible

## Table of tones

### RT-A/C/D/E type

Electronic sound

- 32 built-in tones available in four sets: A, C, D and E
- Selector switch to playback 8 sounds with bit input method or 32 sounds with binary.

#### Type A

Beep	Stutter	Bell	Yelp
Rapid Hi-Lo	Melody Chime	Synthesized Piano	Synthesized Bell
Stutter & Bell	Synthesized Melody	Chime	Call Sign
Fur Elise	A Maiden's Prayer	Minuet in Gmjr	Annie Laurie
London bridge is falling down	Holdiridia	Mary had a little Lamb	Camptown Races
Cuckoo Song	Village Blacksmith	On the Avignon Bridge	Daydream Believer
Amaryllis	Mozart Symphony No.40	Quiet Lakeside	Mountain Musician
Spanish Romance	Katyusha	Grandfather's Clock	Ave Maria

#### Type C

Beep	Stutter	Bell	Yelp
Rapid Hi-Lo	Melody Chime	Synthesized Piano	Synthesized Bell
Stutter & Bell	Synthesized Melody	Chime	Call Sign
Can't take my eyes off of You	Top of the World	The Entertainer	Amazing Grace
Maiden with the flaxen hair	Aux Champs-Elysees	Canon	La-la Sunshine
Space Battleship Yamato	Oshiete	Makenai de	Theme Song
I Don't Want to Miss a Thing	Yozora no Mukou	Ai wa Katsu	Truth
Guts Daze!!	Odoru Ponpokorin	Ima sugu Kiss Me	Haru yo, Koi

#### Type D

Beep	Stutter	Bell	Yelp
Rapid Hi-Lo	Melody Chime	Synthesized Piano	Synthesized Bell
Runner	Mamotte Agetai	Chime	Call Sign
While listening to Olivia	September	Douyobi no Koibito	Aki no Kihai
Surf Tengoku, Ski Tengoku	Iro, White Blend	Happy Birthday	Hi Ho
I've been working on the Railroad	The Bear Song	Toys Go Cha-Cha-Cha	Konnako Irukana
Shubert's Lullaby	Rudolph the Red-nosed Reindeer	She Wore a Yellow Ribbon	My Darling Clementine
Yellow Rose of Texas	Yankee Doodle	When the Saints Go Marching In	Londonderry Aire

#### Type E

Beep	Stutter	Bell	Yelp
Rapid Hi-Lo	Melody Chime	Synthesized Piano	Synthesized Bell
Stutter & Bell	Synthesized Melody	Chime	Call Sign
Bee-boh sound	Galloping Hi-Lo	Alien Chatter	Falling Crystals
Inverted Reveille x3	Galactic Motor	Ringin Phone	Two Tone
Alarm Clock	Ringin Hi-Lo	Fur Elise	Minuet in Gmjr
Annie Laurie	London bridge is falling down	Mary had a little Lamb	Camptown Races
Amaryllis	Mozart Symphony No.40	Ave Maria	Grandfather's Clock

#### Use of Copyrighted Material

PATLITE Corporation has not applied for permission to use certain copyrighted music or songs recorded for Type-A, Type-C and Type-D melody charts outside of Japan. Therefore, contact the local copyright association for permission before using the product outside Japan.

- Bit input → plays 8 sounds (see instruction manual for 8 sound grouping) Binary input → plays 32 sounds
- Alarm tones are denoted in characters for convenience. Please inquire about actual tones or check our website for more details.

## Specifications

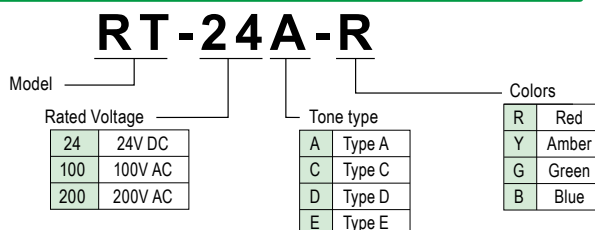
Model	Rated Voltage	Operating Voltage Range	Power Consumption	Bulb	Number	Number of flashes	Sound Pressure Level	External Contact Capacity	Operating Temperature Range	Contact Input Method	Playback Channel	Protection Rating	Quality
													2.0kg
Electronic Sound RT-24A-R-Y RT-100A-R-Y RT-200A-R-Y	24V DC	21 - 27V DC	24W	24V 20W	55	115/minute	Maximum 105dB (at 1m)	10mA or more	-20°C - +50°C (humidity 85% or less)	Normally closed contact input (1 bit per 9 points)	Bit input 8 Binary input 32	IP23	2.0kg
	100V AC	90 - 110V AC	32W	12V 15W	54	105/minute							2.5kg
	200V AC	180 - 240V AC	30W										95/minute

Bulb Shape : glass bulb G18 base BA15S

(Note) The indicated sound pressure level is at maximum volume and the actual level may be lower than the indicated sound pressure level due to tone and voltage fluctuations.

\*When using multiple units, there may be variation in the playback sound even when started simultaneously.

## Model Code



## Optional Parts

For details, see pages 182 to 187.

Optional Parts	Model
Wall Mount Bracket	SZ-023
Wall Mount Bracket	SZ-008

Light bulb No.	Model
54	D01201503-F1
55	D02402003-F1

\*Light bulbs come in packs of 10.  
\*Stock for some light bulbs may be limited, as products become discontinued. We ask for your understanding in this regard.

Network

Signal Tower

Signal Light

Revolving Warning Light

Cube Tower

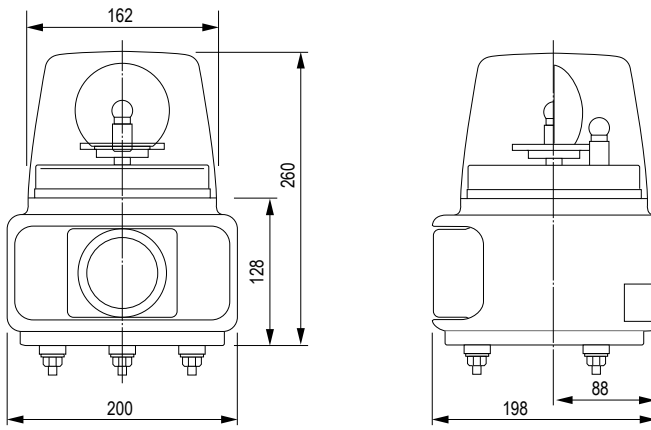
Audibles

Hybrid Signaling Devices

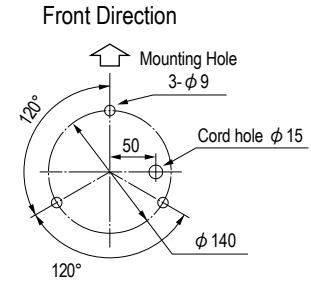
LED Illumination

Options

Dimensions (mm)

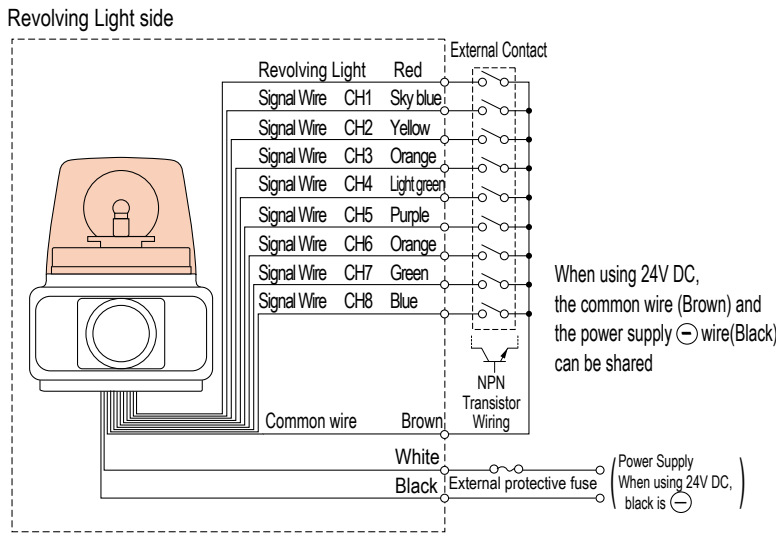


Installation Dimension Drawings



Wiring Diagram

RT-A/C/D/E types



Channel Priority

CH8 (Blue) > CH7 (Green) > CH6 (Orange) > CH5 (Purple) > CH4 (Light green) > CH3 (Pink) > CH2 (Yellow) > CH1 (Sky blue)  
 \*If multiple signals are input simultaneously, it will prioritize the channel with the highest number.

Model	Inrush Current	Fuse
<b>RT-24</b>	Maximum 10A/20ms	250V 2A
<b>RT-100</b>	None	250V 0.5A
<b>RT-200</b>	None	250V 0.5A

Power supply voltage	RT-A/C/D/E
100V AC 200V AC	Revolving light, sound signal wire When circuit is open: DC18V When circuit is closed: maximum 6mA
24V DC	Revolving light, sound signal wire When circuit is open: 24V When circuit is closed: maximum 6mA

\*Also connectable with an NPN open collector transistor.

RT-24 □

RT-100 □ / 200 □

Rated cross sectional area : Wire type : Wire length  
 Power supply wire : 0.75mm<sup>2</sup> : CKVV : 320mm  
 Signal wire : 0.3mm<sup>2</sup> : CKVV : 300mm

Power supply wire : 0.75mm<sup>2</sup> : VCTF : 320mm  
 Signal wire : 0.3mm<sup>2</sup> : CKVV : 300mm